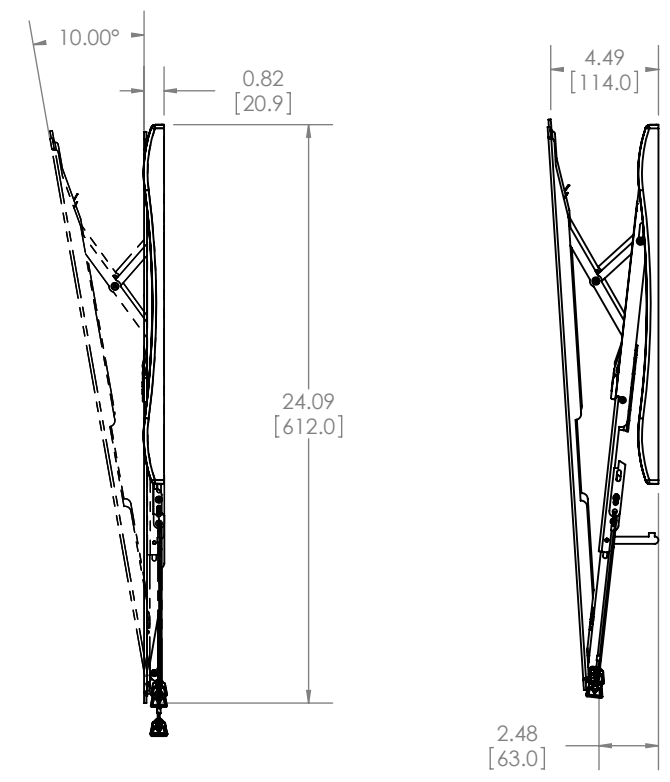
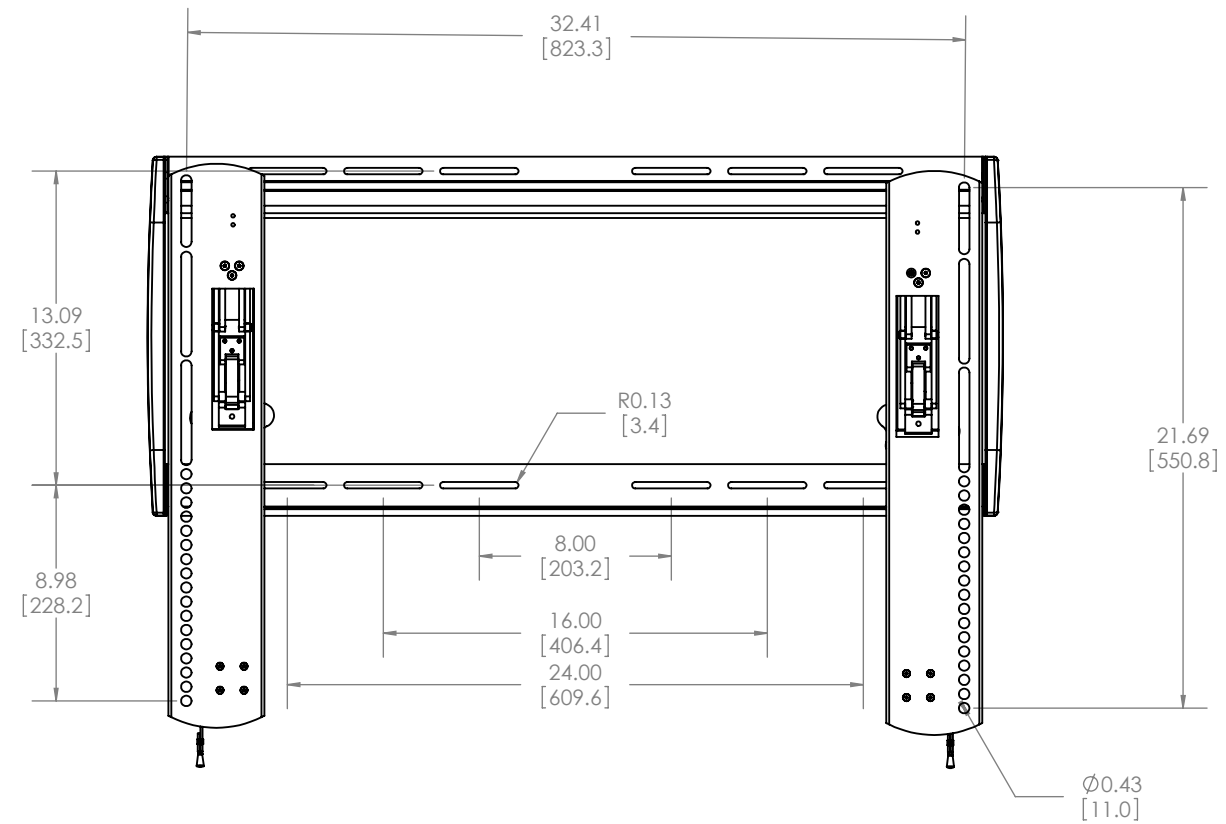
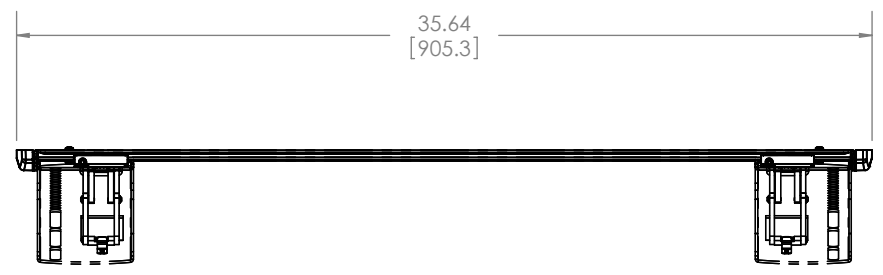


8 7 6 5 4 3 2 1

REVISIONS 修订版				
REV. 修订	DESCRIPTION 描述	DATE 日期	INITIALED 负责人字母缩写	ECO 工程变更
00	RELEASE FOR PRODUCTION	6/22/2009	NAS	5-945



D
C
B
A

D
C
B

<p>PROPRIETARY AND CONFIDENTIAL</p> <p>THE INFORMATION CONTAINED IN THIS DRAWING IS THE SOLE PROPERTY OF SANUS SYSTEMS, A PRODUCT DIVISION OF MILESTONE AV TECHNOLOGIES. ANY REPRODUCTION IN PART OR AS A WHOLE WITHOUT THE WRITTEN PERMISSION OF SANUS SYSTEMS IS PROHIBITED.</p> <p>专有且机密资料</p> <p>本信息属 SANUS SYSTEMS 公司专属财产, 非经 SANUS SYSTEMS 书面许可, 严禁复制其中任何内容</p>	<p>NAME 姓名: NAS</p> <p>DATE 日期: 6/17/2009</p> <p>ENGINEER 工程师: DDG</p> <p>DESIGNER 设计师: DDG</p> <p>APPROVED 批准: DDG</p> <p>DATE 日期: 6/17/2009</p> <p>NOTES 注释:</p>	<p>SANUS[®]</p> <p>S Y S T E M S</p> <p>DESCRIPTION 描述:</p> <p>EXTRA LARGE TILT MOUNT</p>
	<p>SCALE 比例: 1:8</p> <p>SHEET 1 OF 第 1</p>	

8 7 6 5 4 3 2 1