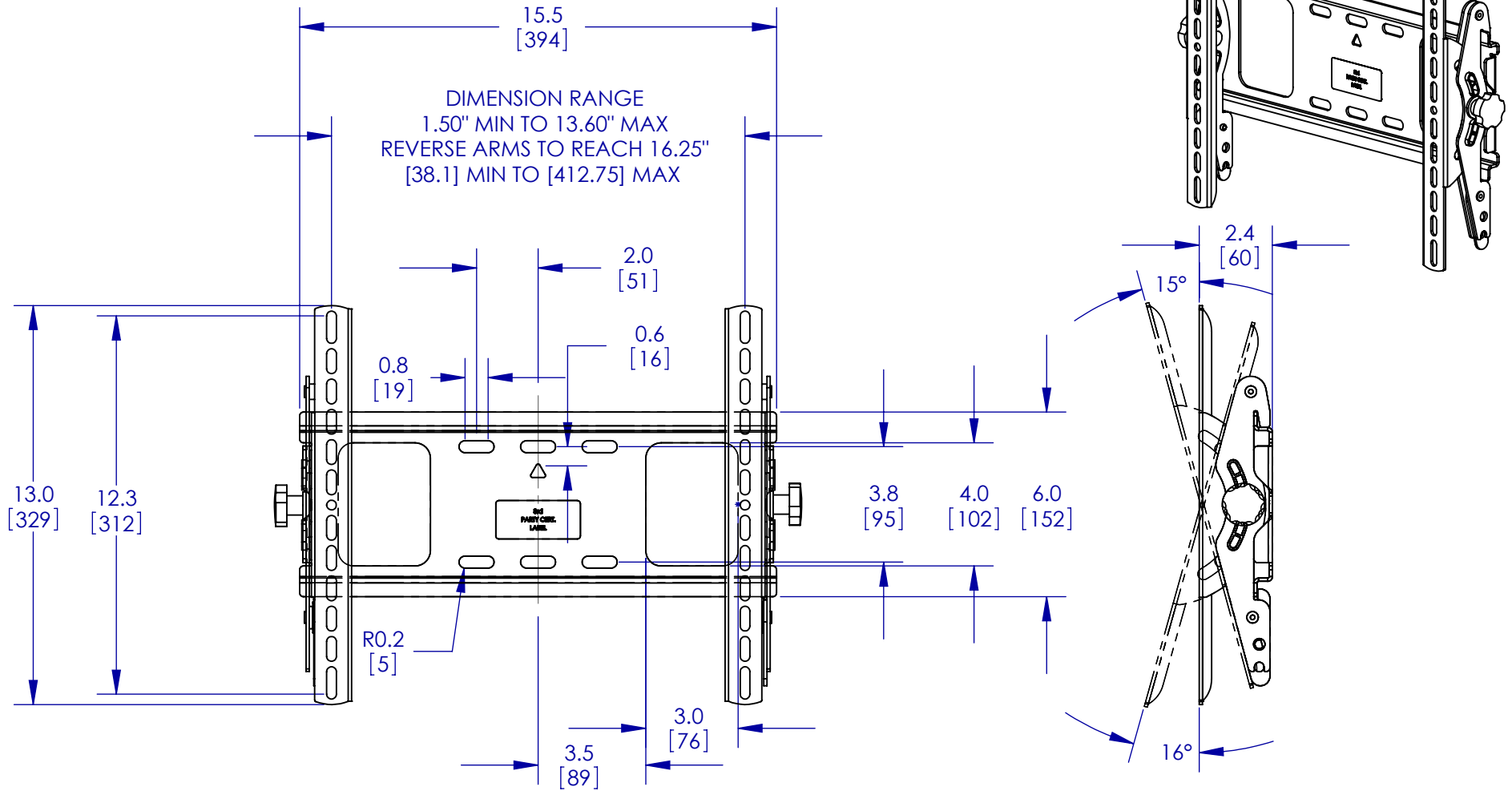


MAXIMUM WEIGHT CAPACITY:
100 LBS.



<p>PROPRIETARY AND CONFIDENTIAL</p> <p>THE INFORMATION CONTAINED IN THIS DRAWING IS THE SOLE PROPERTY OF SANUS SYSTEMS, A PRODUCT DIVISION OF MILESTONE AV TECHNOLOGIES. ANY REPRODUCTION IN PART OR AS A WHOLE WITHOUT THE WRITTEN PERMISSION OF SANUS SYSTEMS IS PROHIBITED.</p> <p>专有且机密资料</p> <p>本信息属 SANUS SYSTEMS 公司专属财产, 非经 SANUS SYSTEMS 书面许可, 严禁复制其中任何内容</p>	NAME 姓名	DATE 日期	
	ENGINEER 工程师	J BURES	6/2/2008
	DESIGNER 设计师	J BURES	6/2/2008
	APPROVED 批准	J BURES	6/2/2008
NOTES 注释:			
TEMPLATE REV 模板修订版: 06	SCALE 比例: 1:5	SHEET 1 OF 第 1	

SANUS
VISION MOUNT

DESCRIPTION 描述: MT25