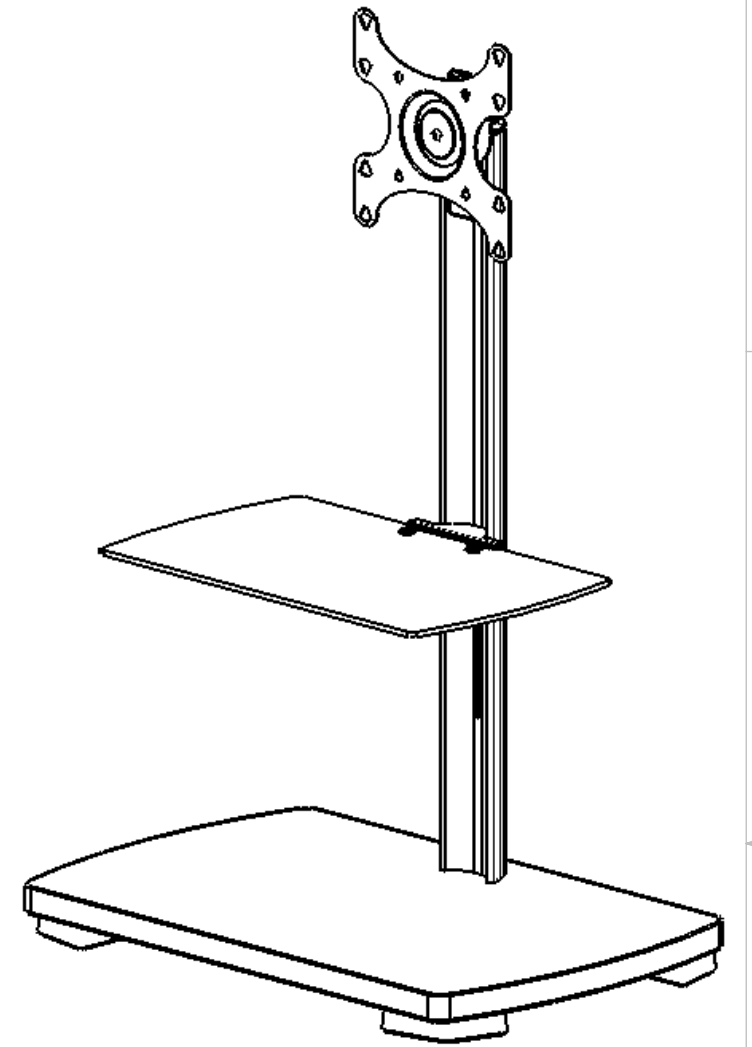
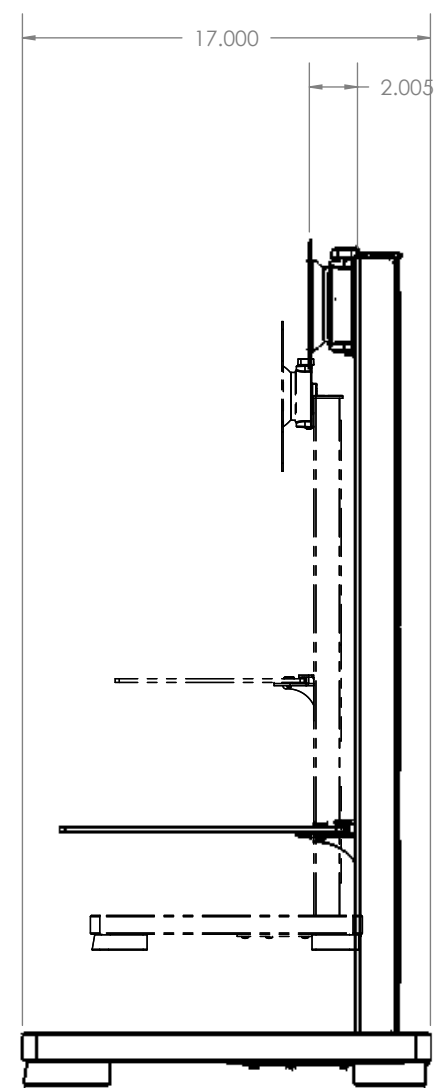
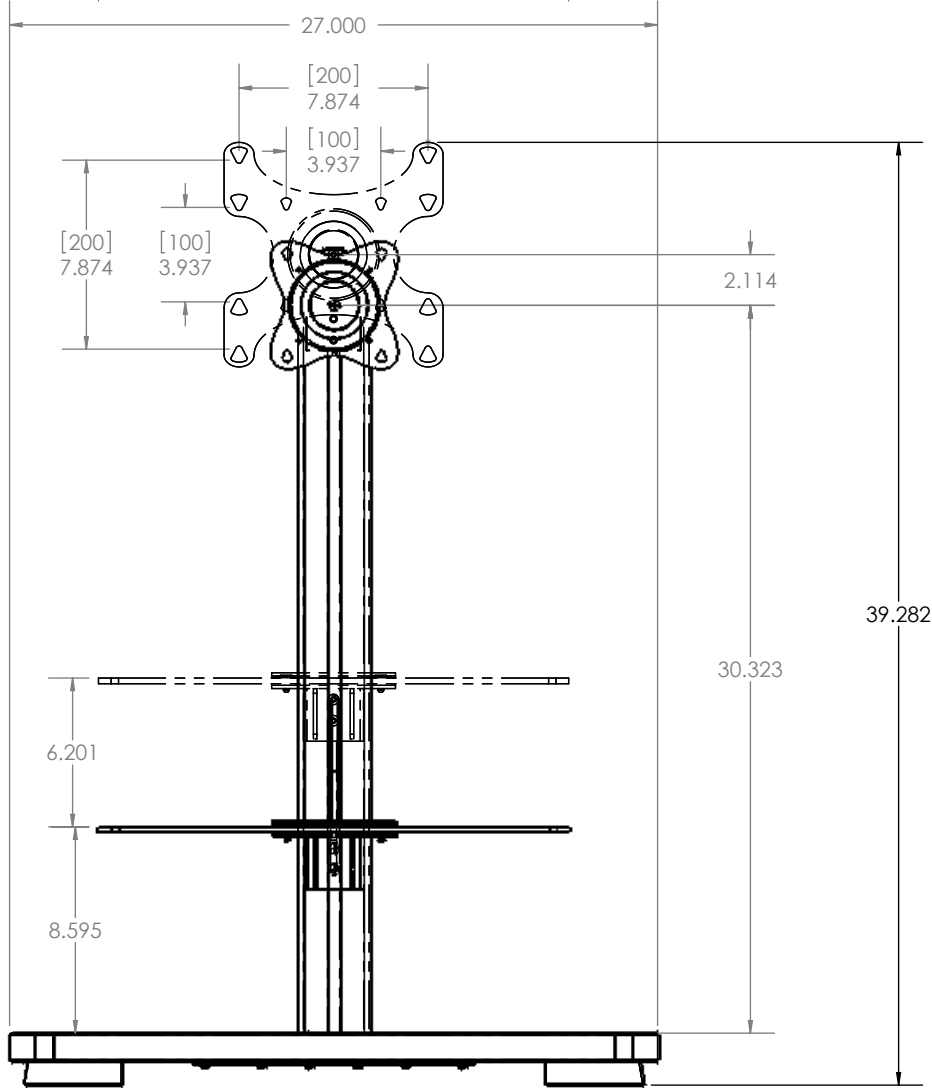
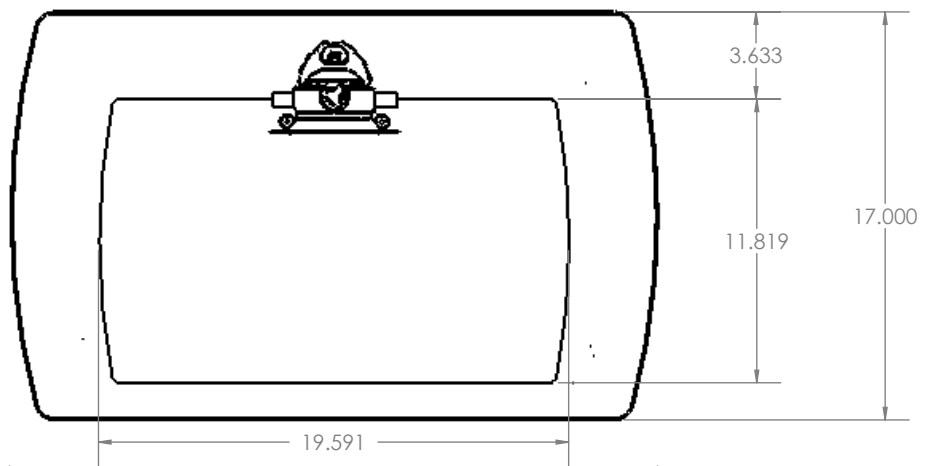


REVISIONS				
REV.	DESCRIPTION	DATE	INITIALED	ECO



PROPRIETARY AND CONFIDENTIAL
 THE INFORMATION CONTAINED IN THIS DRAWING IS THE SOLE PROPERTY OF SANUS SYSTEMS. ANY REPRODUCTION IN PART OR AS A WHOLE WITHOUT THE WRITTEN PERMISSION OF SANUS SYSTEMS IS PROHIBITED.

PROJECT	6802 - Sanus Complete	UNLESS OTHERWISE SPECIFIED:
SANUS PART NO.	6802-000001	[X] ±2.5mm .X ±.100
LEGACY PART NO.		[X.X] ±.75mm .XX ±.030
DEBURR	ALL EDGES FREE OF BURRS	[X.XX] ±.25mm .XXX ±.010
PURCHASING SPEC	8900-000001	[X.XXX] ±.13mm .XXXX ±.005
MATERIAL & FINISHING SPEC	8900-000002	ANGULAR: ±0°30'
EXTRUSION DIE	N/A	INTERPRET GEOMETRIC TOLERANCING PER:
		MATERIAL
		Material <not specified>
		FINISH
		SEE P.O.
		DO NOT SCALE DRAWING

NAME	NAS	DATE	7/5/2006
DETAILED BY:		CHECKED BY:	1/1/2001
ENG APPR.			1/1/2001

SANUS SYSTEMS

TITLE:
FFSF1A LCD FURNITURE STAND

SIZE	DWG. NO.	REV
B	FFSF1A	01

SCALE: 1:8 WEIGHT: 27.78 SHEET 1 OF 1