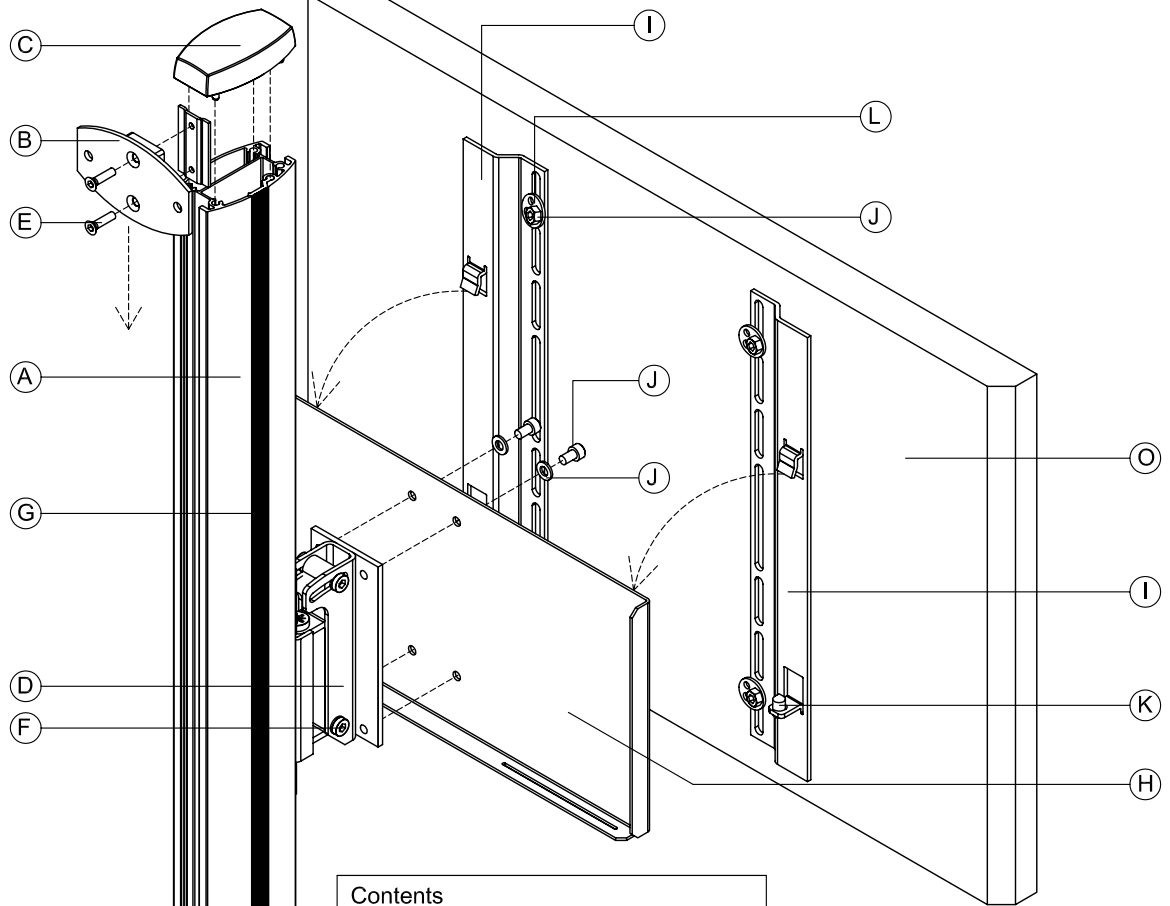


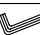



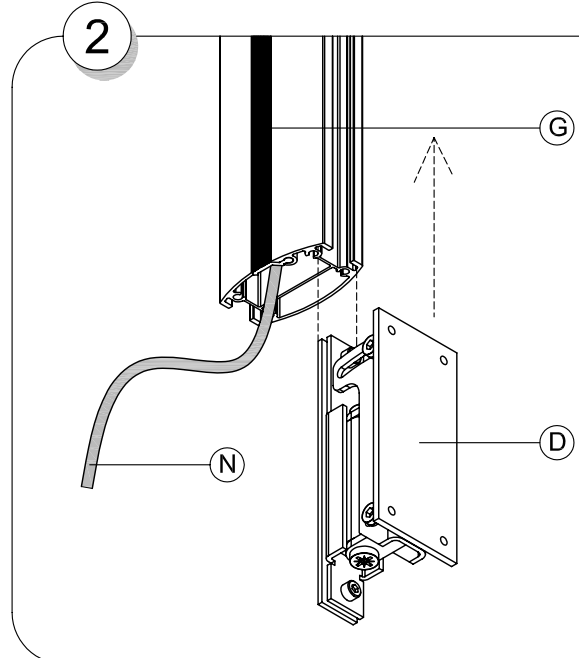
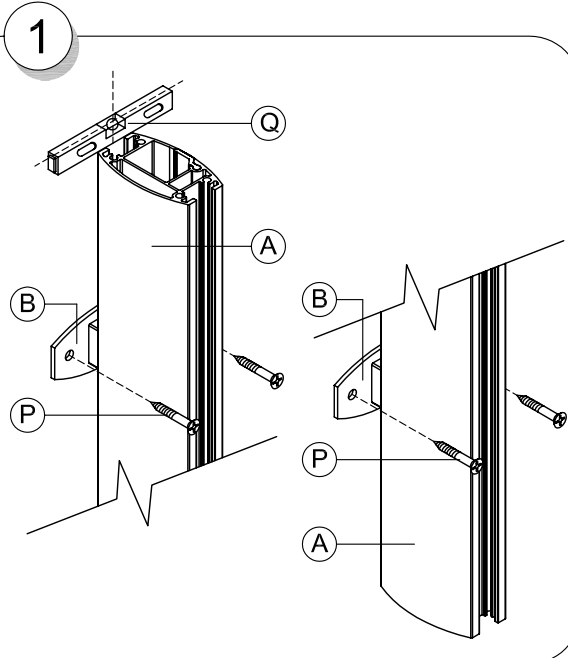


SMS FLATSCREEN WM ST800/1200/1800

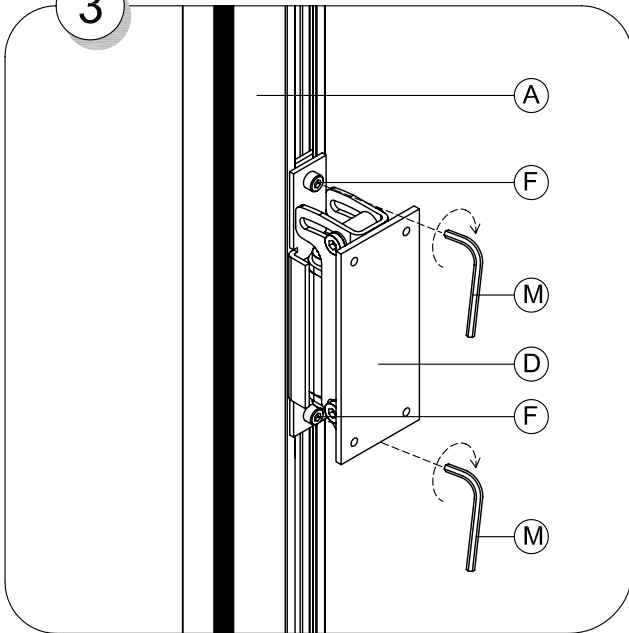




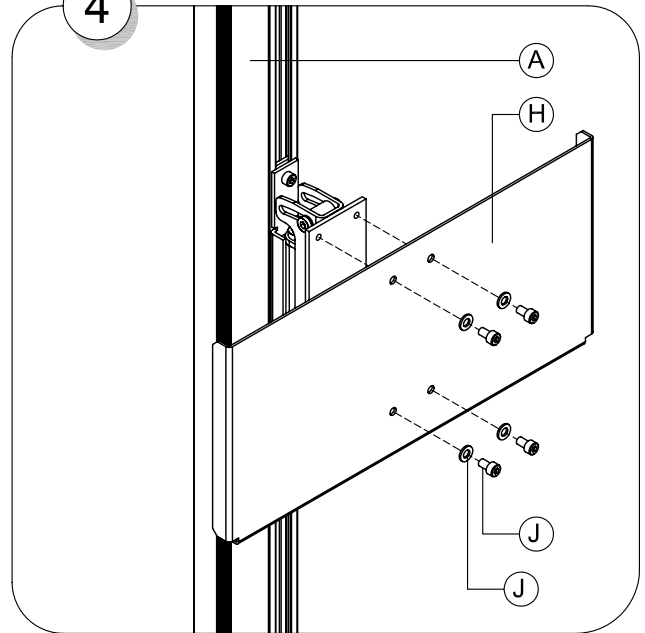
Contents			
A. Pillar	1	J. Screws + washers kit	2
B. Wall mounting plate	2	K. Safety Screw	 2
C. Plastic Cap	2	L. Multiple washers	 4
D. Tilt	1	M. Allen Keys	 3
E. Screws M5x20	 2		
F. Screws M6x12	 2		
G. Plastic cover(over cables)	 1		
H. Central plate	2		
I. Vertical plates	2		
		N. Cables (Not included)	
		O. Flat Screen (Not included)	
		P. Wall Screws (Not included)	
		Q. Carpenter's Level (Not included)	



3

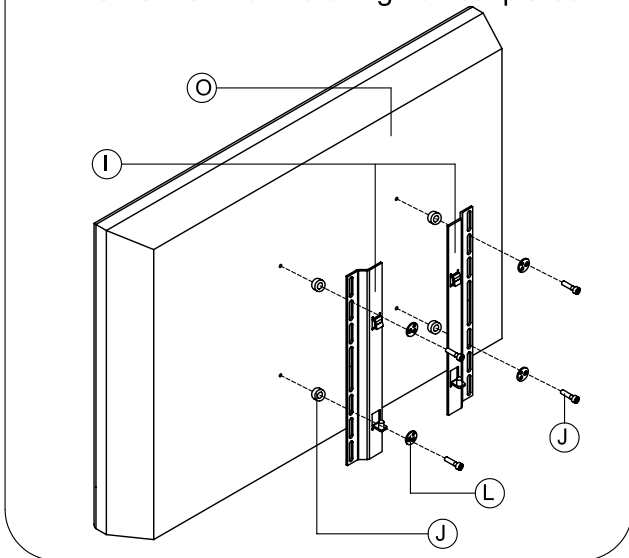


4



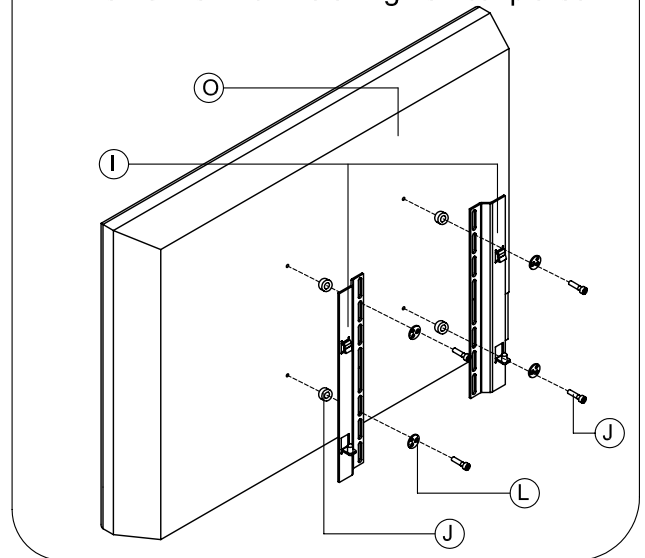
5

Alternative 1 for installing vertical plates

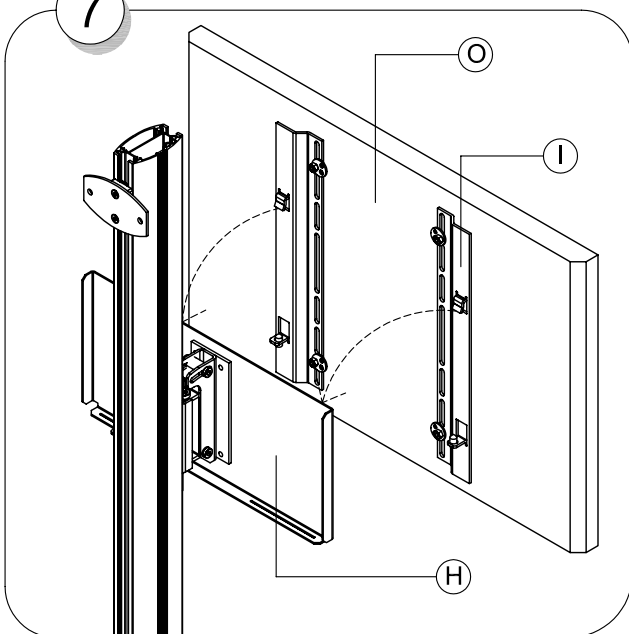


6

Alternative 2 for installing vertical plates



7



8

