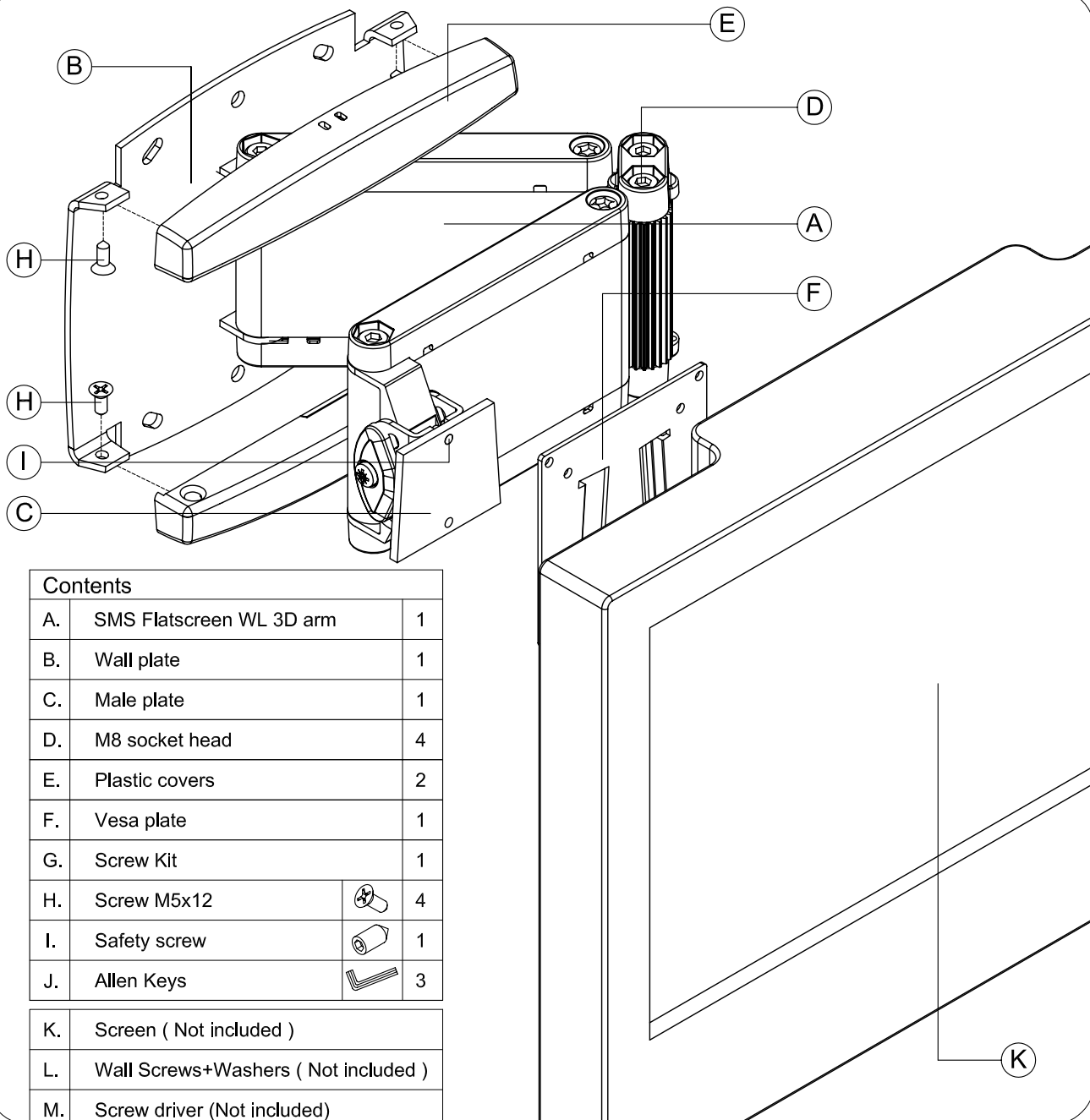





SMS FLATSCREEN WL 3D

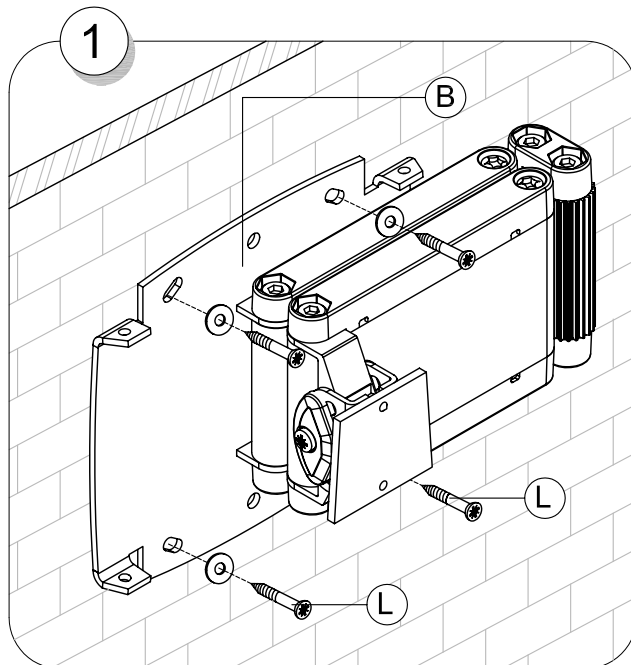
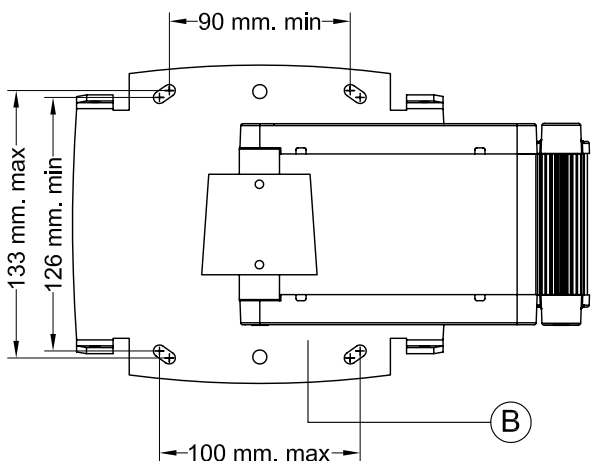


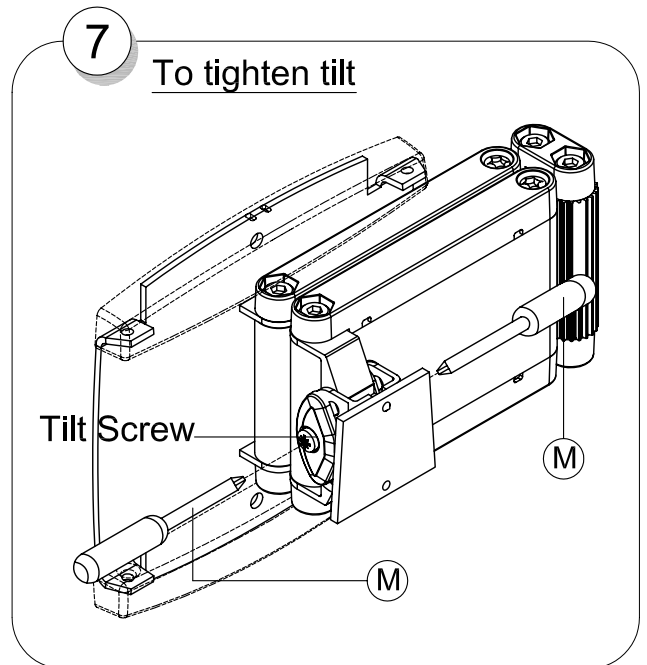
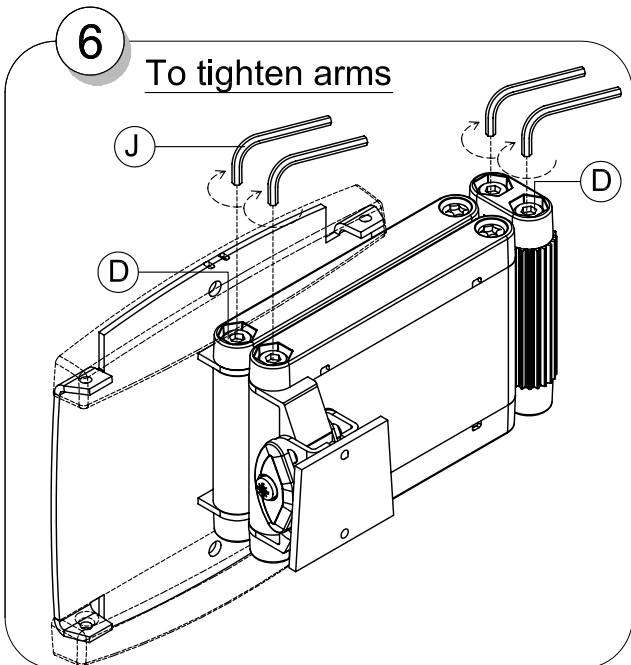
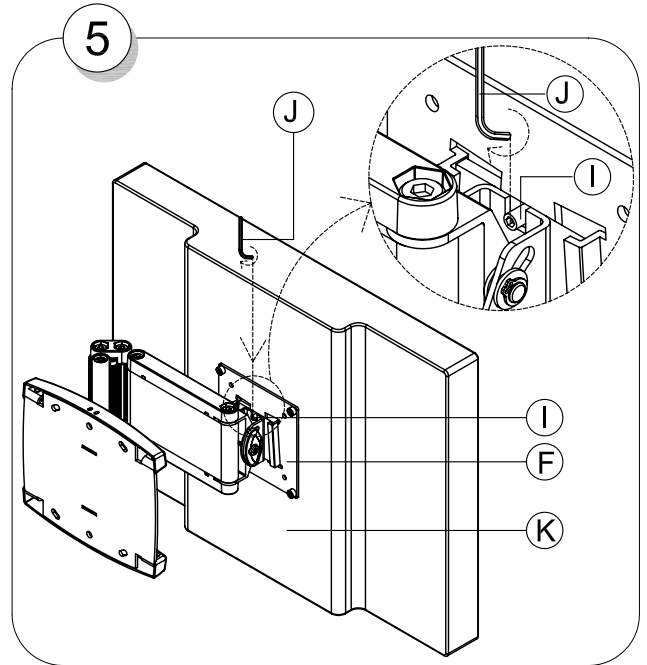
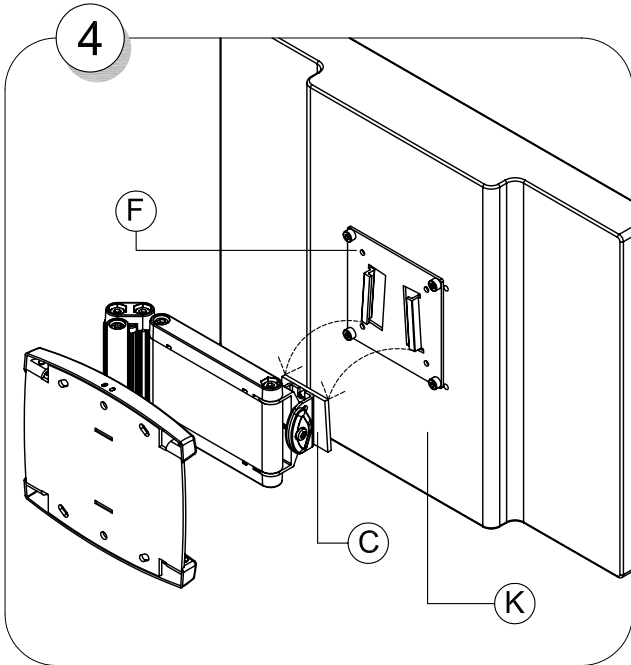
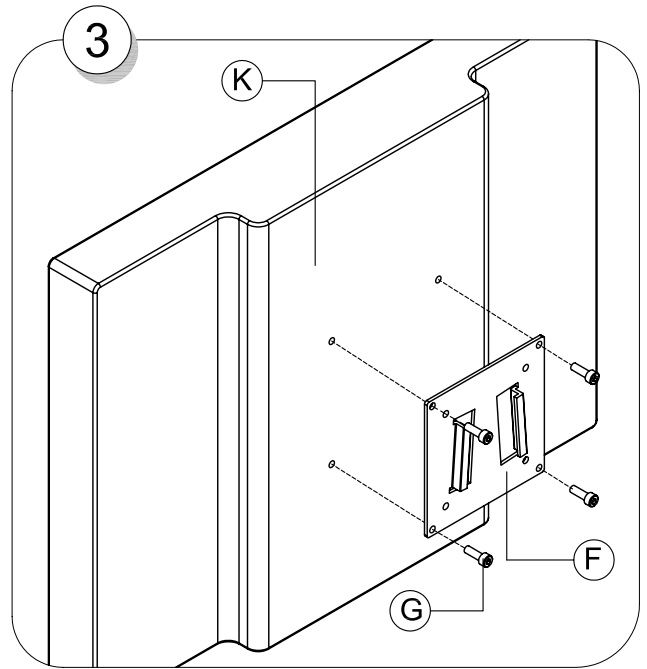
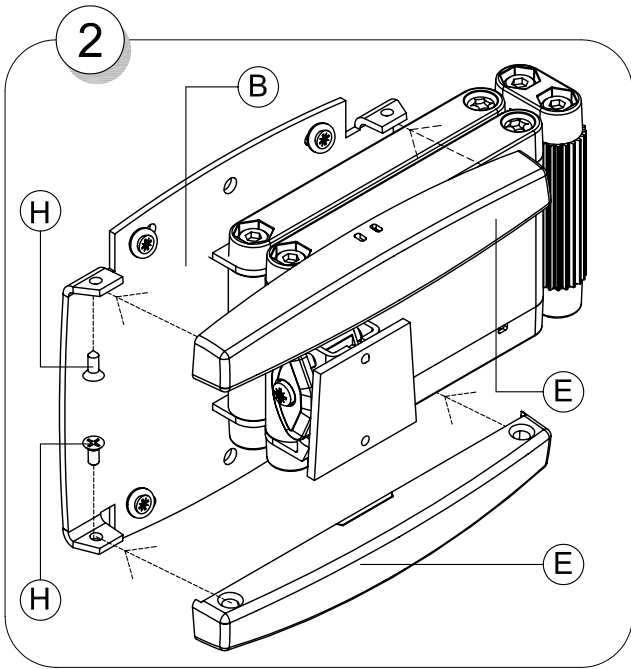


Contents

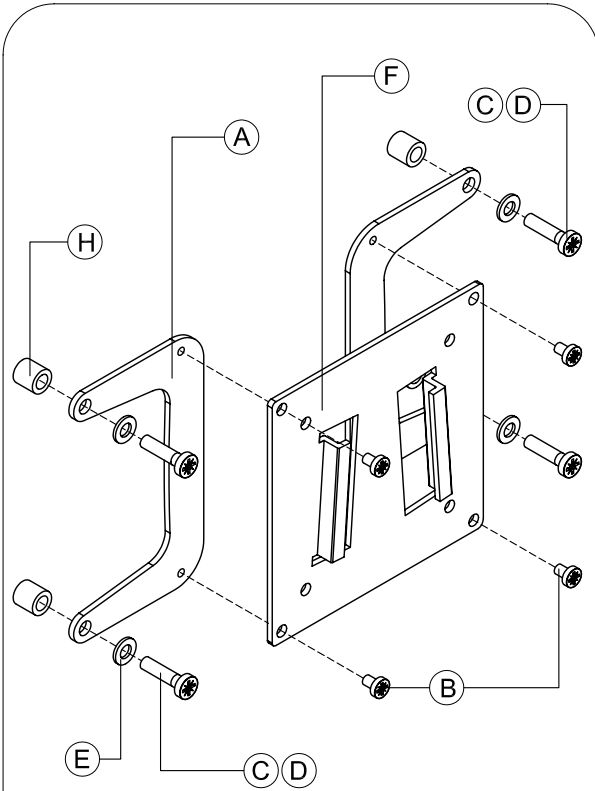
| | | |
|----|--------------------------------------|---|
| A. | SMS Flatscreen WL 3D arm | 1 |
| B. | Wall plate | 1 |
| C. | Male plate | 1 |
| D. | M8 socket head | 4 |
| E. | Plastic covers | 2 |
| F. | Vesa plate | 1 |
| G. | Screw Kit | 1 |
| H. | Screw M5x12 |  4 |
| I. | Safety screw |  1 |
| J. | Allen Keys |  3 |
| K. | Screen (Not included) | |
| L. | Wall Screws+Washers (Not included) | |
| M. | Screw driver (Not included) | |

Holes Pattern
SMS Flatscreen WL 3D Wall Plate











Expander Vesa 200x100



Contents

| | | | |
|----|-----------------------------|---|---|
| A. | Expander Vesa plate 200x100 | | 2 |
| B. | Screw M4x6 |  | 4 |
| C. | Screw M4x10 / M5x10 |  | 4 |
| D. | Screw M4x20 / M5x20 |  | 4 |
| E. | Washers |  | 4 |
| F. | Vesa plate | | 1 |
| G. | Allen Key |  | 1 |
| H. | Dist. washers |  | 4 |

