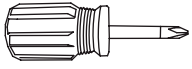
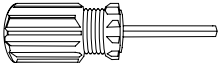


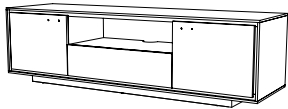
Component List



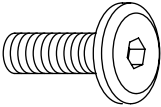
A - Phillips Screwdriver
x 1



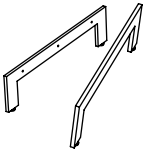
B - Hex Driver
x 1



C - Assembled Cabinet
x 1



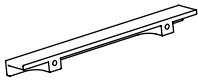
D - 1/4-20 x 1"
Machine Screw
x 6



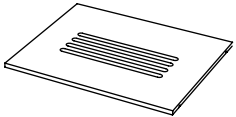
E - Leg
x 2



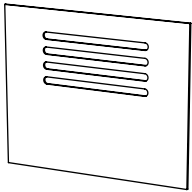
F - M4 x 25mm Screw
x 4



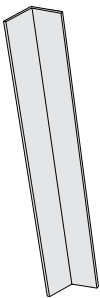
G - Pull
x 2



H - Adjustable Shelf
x 2



I - Back Panel x 2



J - Cardboard Corner
Protector
x 2

Signal is engineered for easy assembly. Carefully follow this procedure to prevent any damage.

Don't discard packaging until reading these instructions.

NOTE: This instruction sheet is intended for the entire Signal collection; model 8329 is shown for illustration.

Placement and Maintenance

Signal is designed for indoor use on level floors. Clean steel parts and wood veneer with a moist cloth.

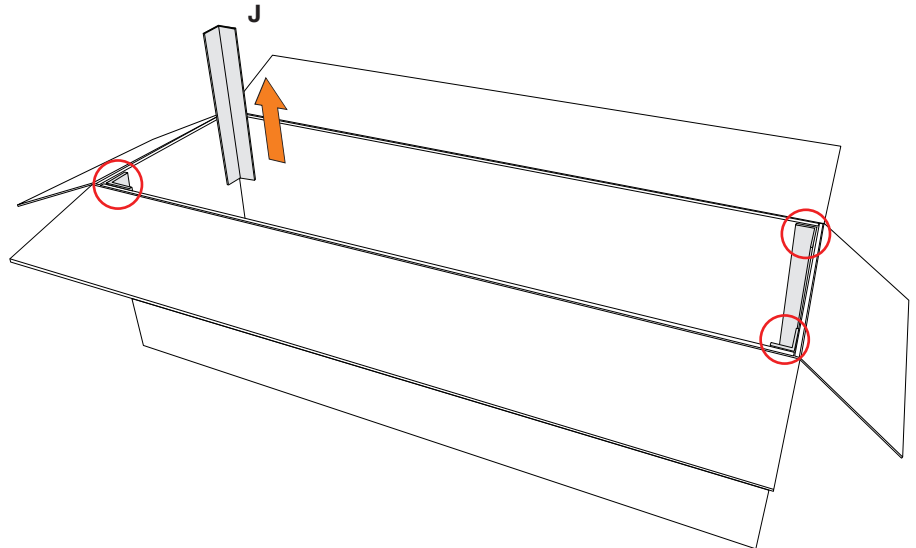
Step 1

Unpack and Identify

Unpack and identify the components at left. Note that some components are shipped inside the cabinet. The assembly workspace should be a non-marring surface such as carpet. For missing hardware pieces, please contact BDI Customer Service at customerservice@bdiusa.com. For all other concerns, please contact your BDI Retailer.

Step 2

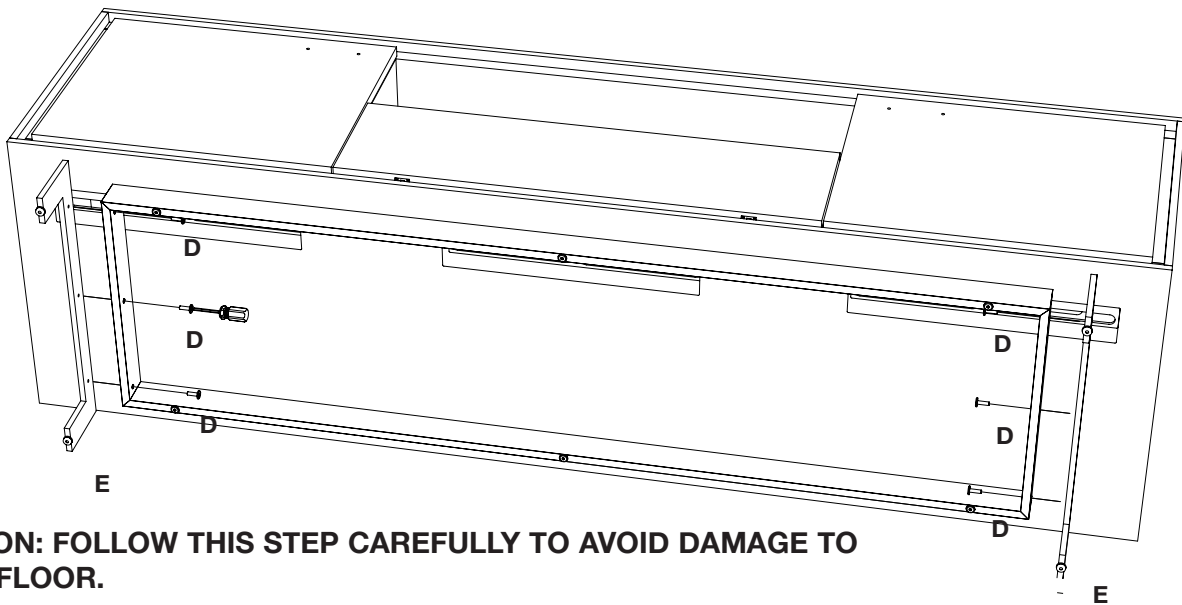
Remove **Cardboard Corner Protectors (J)** from packaging.



Step 3

Install Legs

With **Assembled Cabinet (C)** resting safely on its back side, install **Legs (E)** to cabinet bottom using **1/4-20 x 1" Machine Screw (D)** and tighten with **Hex Driver (B)**. Do not overtighten.

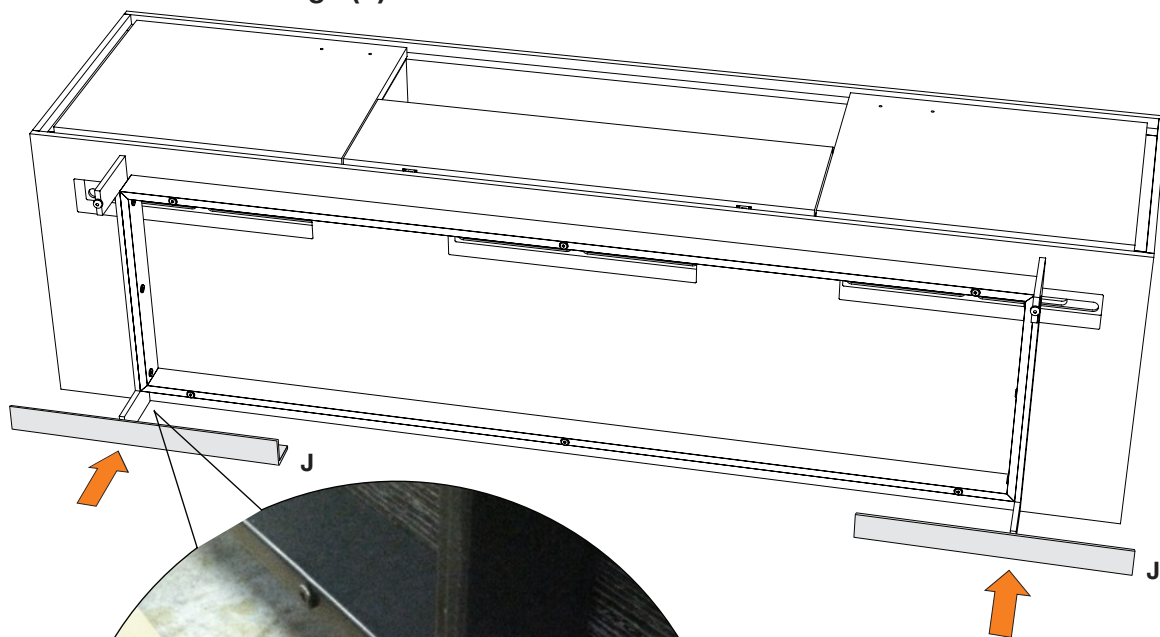


CAUTION: FOLLOW THIS STEP CAREFULLY TO AVOID DAMAGE TO YOUR FLOOR.

Step 4

Position cabinet right side up.

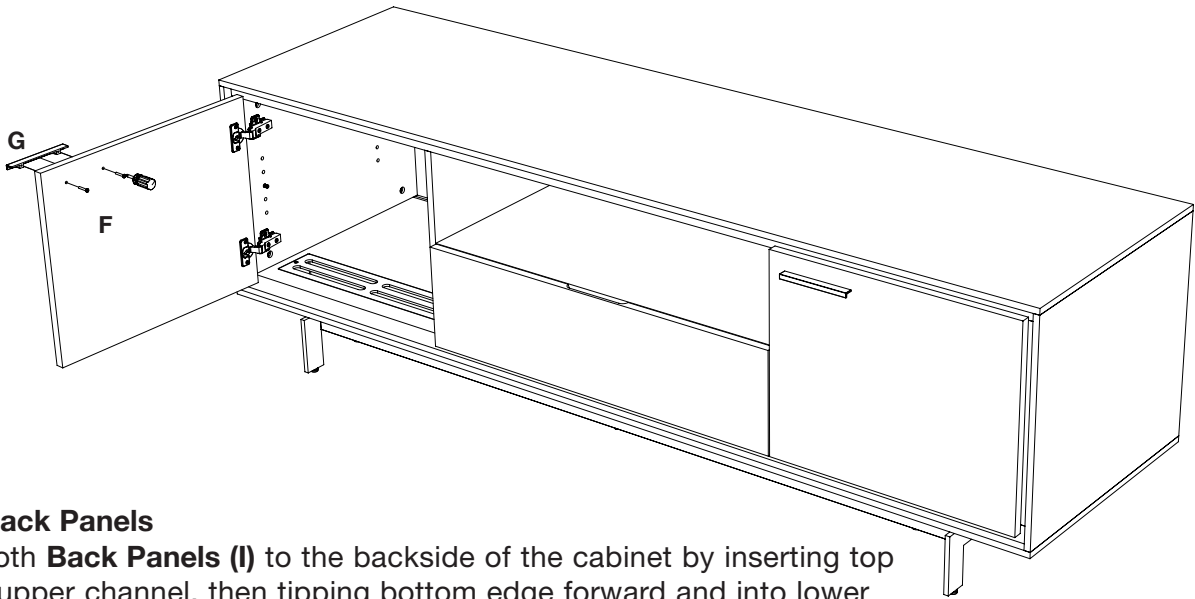
Place the **Cardboard Corner Protectors (J)** from packaging underneath the installed cabinet **Legs (E)**. With the help of another person, carefully tip cabinet upright onto cabinet **Legs (E)**. Slide **Cardboard Corner Protectors (J)** from underneath cabinet **Legs (E)**.



Step 5

Install Pulls

Install **Pulls (G)** on the doors using the **M4 x 25mm Screws (F)** and the **Phillips Screwdriver (A)** supplied.

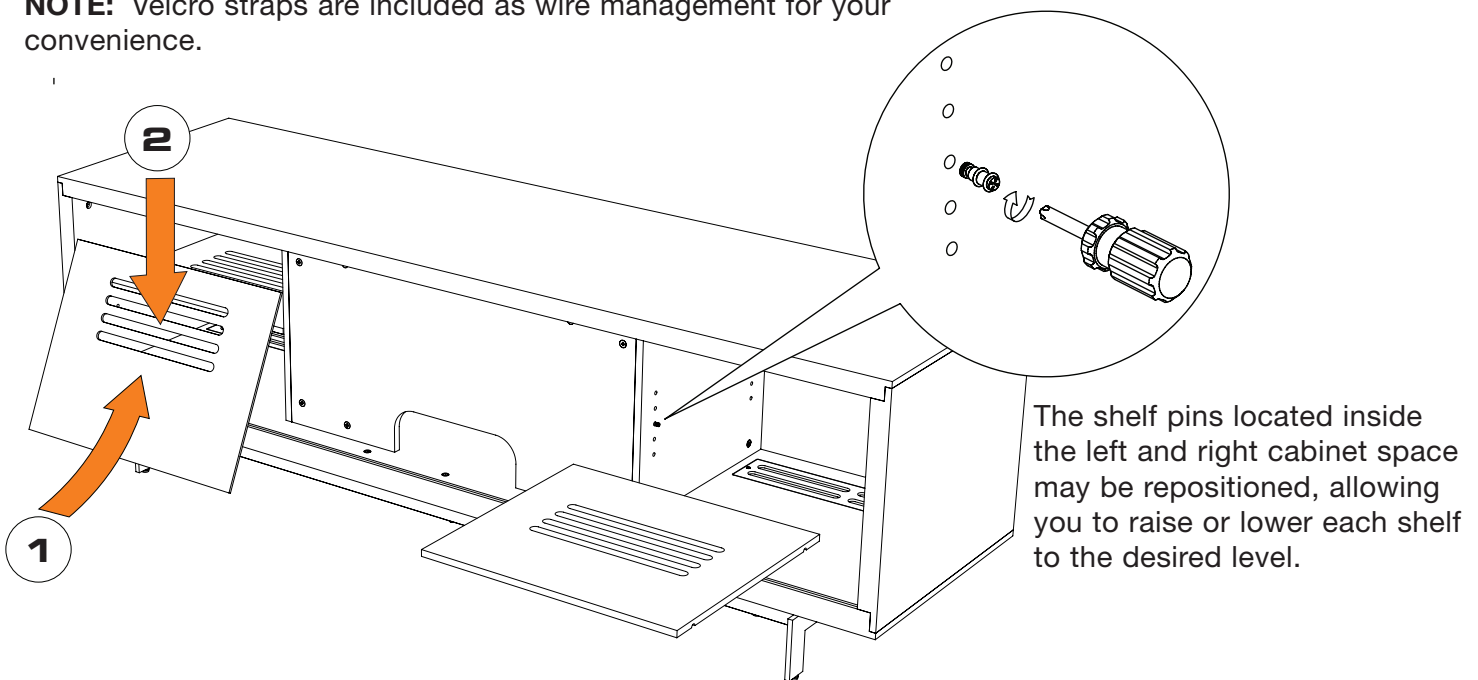


Step 6

Install Back Panels

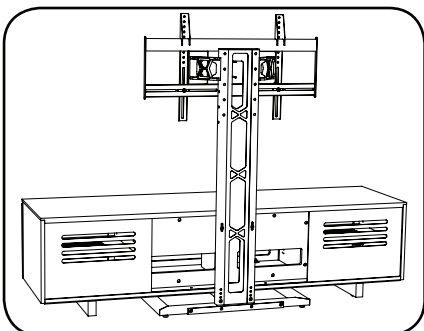
Install both **Back Panels (I)** to the backside of the cabinet by inserting top edge in upper channel, then tipping bottom edge forward and into lower channel.

NOTE: Velcro straps are included as wire management for your convenience.



The shelf pins located inside the left and right cabinet space may be repositioned, allowing you to raise or lower each shelf to the desired level.

Optional Flat Panel TV Mount



These BDI cabinets are compatible with **BDI's Arena Flat-Panel TV Mount #9972** (sold separately), with the following features:

- accommodates most TVs up to 60", 175 lbs
- swivel allows rotating for optimal viewing
- allows adjustable TV mounting height
- accepts and routes cables to and from the TV
-

For more information, visit www.bdiusa.com

Signal 8329 is also compatible with **BDI's Arena Flat-Panel TV Mount #9970** (sold separately).