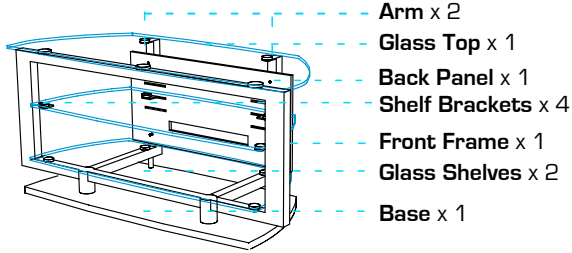
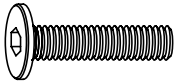


### Component List



- Arm x 2
- Glass Top x 1
- Back Panel x 1
- Shelf Brackets x 4
- Front Frame x 1
- Glass Shelves x 2
- Base x 1



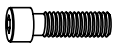
A x 9



B x 6



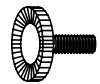
C x 13



D x 2



E x 12



F x 6



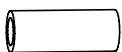
G x 1



H x 1



I x 2



J x 2



K x 5

L x 5

Your Icon<sup>®</sup> Home Theater Furniture is engineered for easy assembly. Carefully follow this procedure to prevent any damage.

### Placement and Maintenance

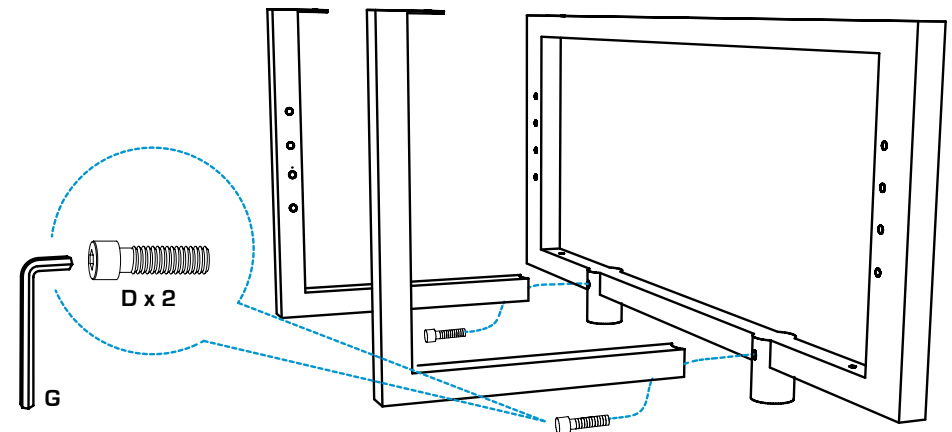
Icon<sup>®</sup> Home Theater Furniture is designed for indoor use on level floors. Clean glass with glass cleaner, and steel parts and wood veneer with a moist cloth.

### Step 1 Unpack and Identify

Unpack and identify the components at left. Note that some components are shipped inside the cabinet. The assembly workspace should be a non-marring surface such as carpet. For missing hardware pieces, please contact BDI Customer Service at customerservice@bdiusa.com. For all other concerns, please contact your BDI Retailer.

### Step 2 Install Arms

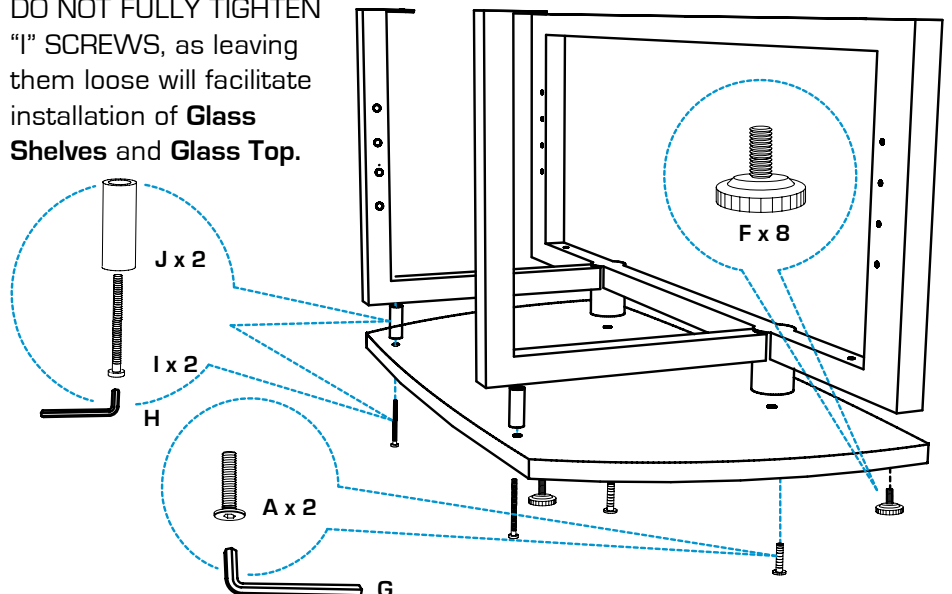
Bracket mounting holes should face inward.



### Step 3 Install Levelers and Frame to Base

Install **Levelers (F)** to bottom of **Base**. Adjust **Levelers (F)** so base is level and stable. Use shown hardware to attach **Base to Frame**.

DO NOT FULLY TIGHTEN "I" SCREWS, as leaving them loose will facilitate installation of **Glass Shelves** and **Glass Top**.



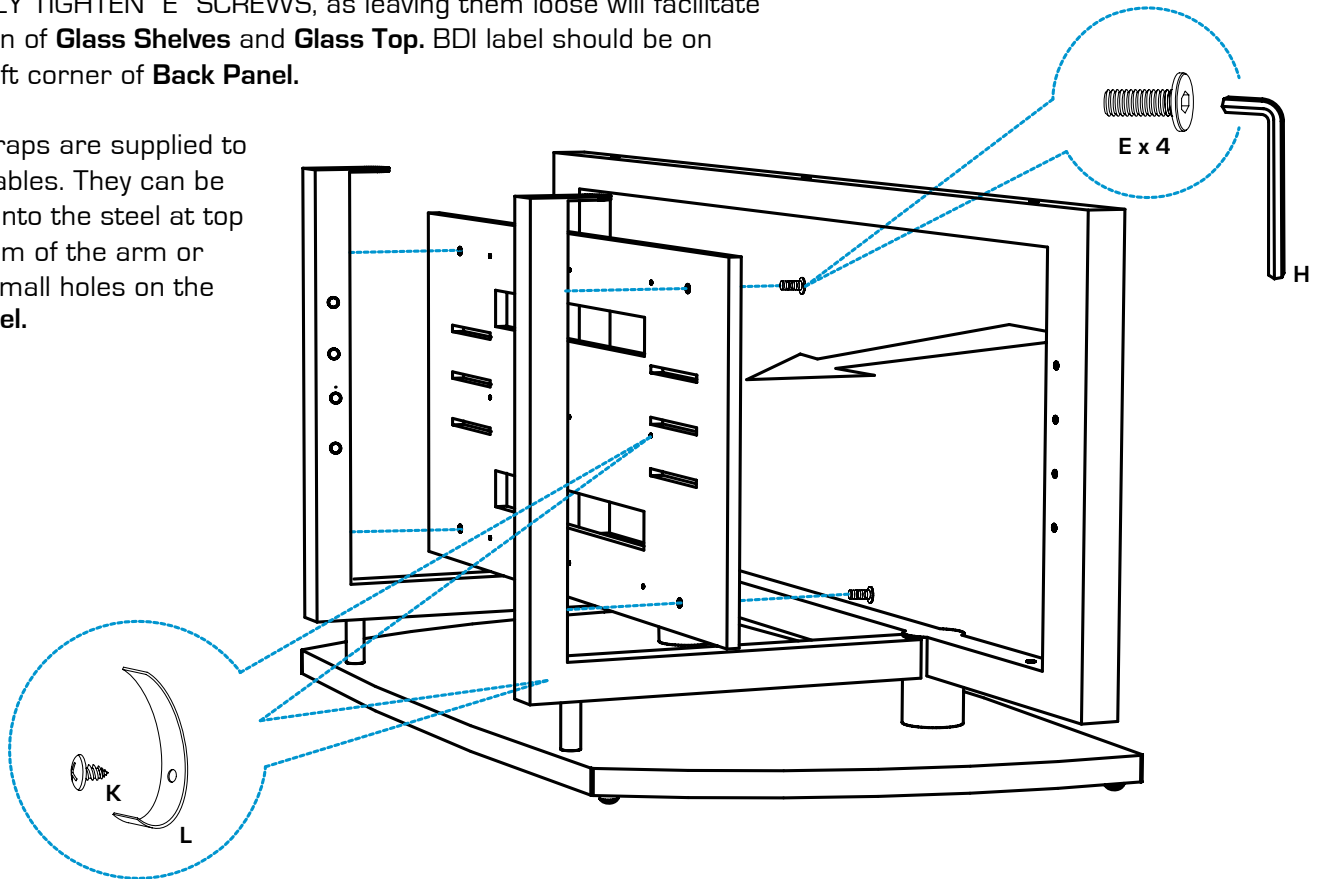
**Note:** Base is easiest to install if unit is rested on it's BACK.

#### Step 4

##### Install Back Panel and Wire Managements Straps

**Back Panel** is to be installed with small holes facing backward. DO NOT FULLY TIGHTEN "E" SCREWS, as leaving them loose will facilitate installation of **Glass Shelves** and **Glass Top**. BDI label should be on bottom left corner of **Back Panel**.

Velcro straps are supplied to control cables. They can be screwed into the steel at top and bottom of the arm or into the small holes on the **Back Panel**.

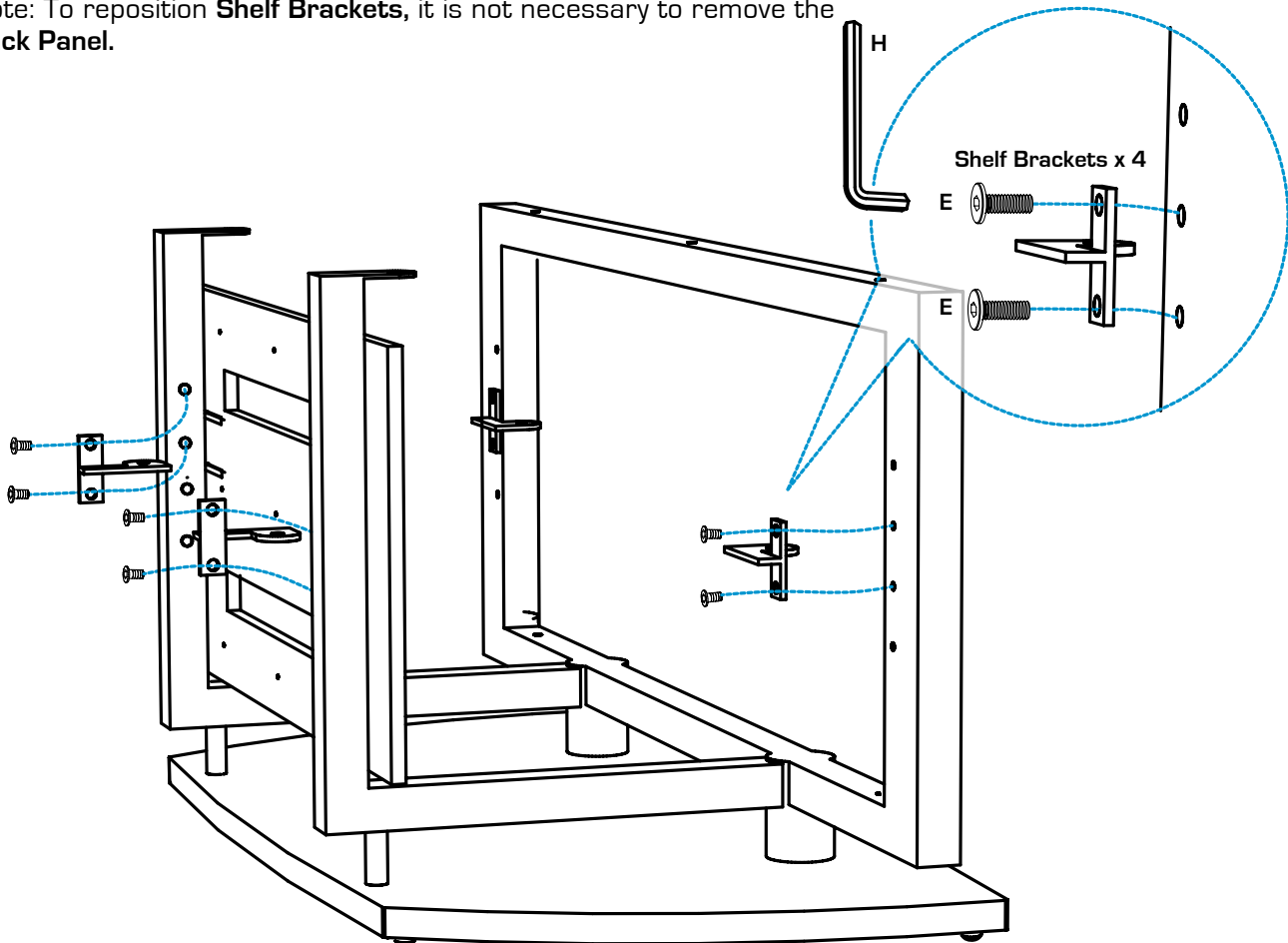


#### Step 5

##### Install the Shelf Brackets

**Shelf Brackets** can be adjusted to offer three different shelf positions.

Note: To reposition **Shelf Brackets**, it is not necessary to remove the **Back Panel**.



## Step 5

### Install Glass Shelves

Two person assembly is recommended for this step.

Use appropriate hardware. Apply **Felt Washers** to the stainless pucks prior to glass installation.

**PLEASE READ:** Leave glass screws loose until all screws have been installed. Then tighten securely. It may be necessary to loosen **Shelf Brackets** to obtain proper fit. Once **Glass Shelves** and **Top Glass** are fitted, PLEASE BE CERTAIN TO GO BACK AND TIGHTEN ALL SCREWS.

