

SMS PROJECTOR X CL F



Is your ceiling low or high?

A projector bracket suitable for any height. Available in several lengths, with the possibility of cutting to the correct length where required. Not only that – it's also very easy to install – you can actually mount and dismount the projector and slide with one hand.

The X-series is characterised by simplifying features and an attention to detail. Such as the ingenious cable holder where you can easily hide all the cables. Or the snap-on function for rapid mounting of the projector slide. The surface finish has also been given an extra coat.



SMS PROJECTOR X - CL F

INFO

- Finish: A/B (aluminium/black) or A/W (aluminium/white).
- Maximum load: 7 kg.
- Column length: 250, 500 or 750 mm.
- Tilt and swivel: can be tilted by 25° and swivelled 360°.
- Delivered with ceiling plate.
- Delivered with the SMS Projector X Uniside.

ARTICLE NO.

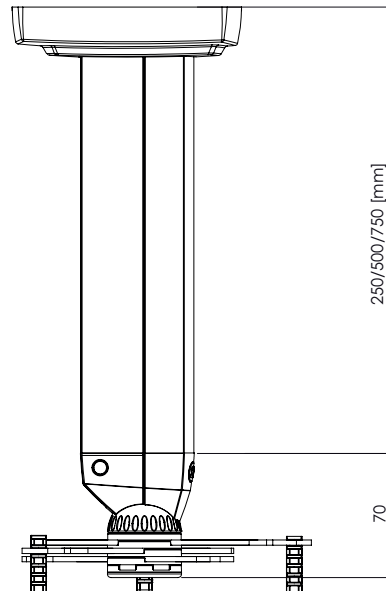
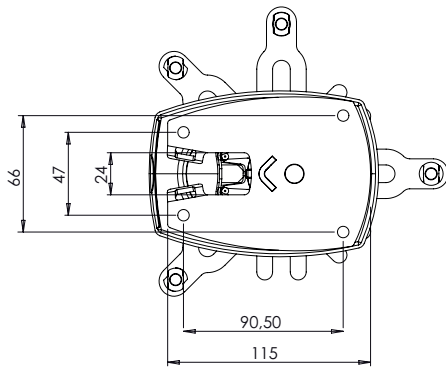
- AE015001
- AE015002
- AE015003
- AE015004
- AE015005
- AE015006

DESCRIPTION

- SMS Projector X CL F250 A/B
- SMS Projector X CL F250 A/W
- SMS Projector X CL F500 A/B
- SMS Projector X CL F500 A/W
- SMS Projector X CL F750 A/B
- SMS Projector X CL F750 A/W



Snap-on attachment allows rapid mounting and dismounting.



SMART MEDIA SOLUTIONS

www.SmartMediaSolutions.se