

Installation/Operating Instructions

LUMA 2 Spring Roller Operated Projection Screen by Draper

Before You Begin

- 1 Read and understand these instructions; keep them for future reference.
- 2 Care in both mounting and correct operation will mean long and satisfactory service from your Draper screen.
- 3 Locate the screen where the audience can best see it, and where other room furnishings permit.
- 4 Mount the screen so that the bottom of the picture, when screen is fully extended, will be above the heads of viewers.

Installation

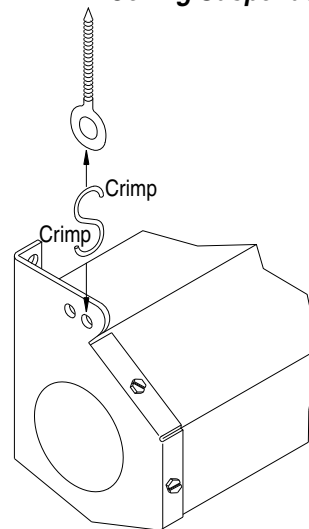
Your Draper screen can be mounted on a wall or suspended from the ceiling or extension brackets. It must be mounted **level** and **with the flat back parallel to the wall**.

The screen (or extension brackets) should be mounted into studs or blocking in the wall/ceiling, or in drywall (minimum thickness 1/2") with specified anchors. For any other type of installation, follow all local building and safety codes.

Steel studs, concrete or cinder block walls and all other types of non-wood frame construction require the use of special screws or anchors.

The selection of appropriate mounting hardware should be made by a qualified professional installer. Draper does not recommend hanging Luma 2 screens using chains. Using chains may allow the roller to lock in the fully extended position, and prevent the surface from retracting into the case.

Ceiling Suspended (Hardware not included)



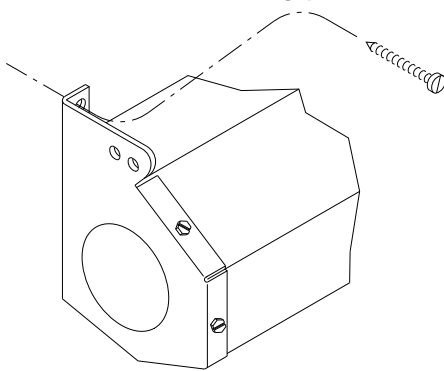
Use the holes at the **front** of the mounting bracket for suspended mounting. Position and properly anchor screw eyes or other fasteners (not included) into ceiling joists or other solid surface. Suspend "S" hooks (not included) from fasteners and hook through **front** mounting hole in the endcap. For added safety, crimp both ends of the "S" hooks so the screen cannot come off.

Recommended hardware: For mounting into wood or ceiling joist, use two 3/16" x 1 1/4" screw eyes and 3/16" diameter "S" hooks; for mounting into drywall (minimum 1/2" thick), use 3/16" toggle or molly bolts with 3/16" "S" hooks.

Please Note:

Draper does not recommend hanging Luma 2 screens using chains. Using chains may allow the roller to lock in the fully extended position, and prevent the surface from retracting into the case.

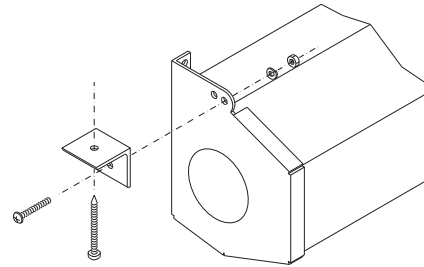
Wall Mounting (Hardware not included)



Use the holes at the back of the mounting bracket for flush wall mounting.

Recommended hardware: For mounting into wood or wall stud, use #10 x 1 1/4" wood screws; for mounting into drywall (minimum 1/2" thick), use 3/16" toggle bolts or 3/16" molly bolts.

Recessed Mounting (Hardware not included)

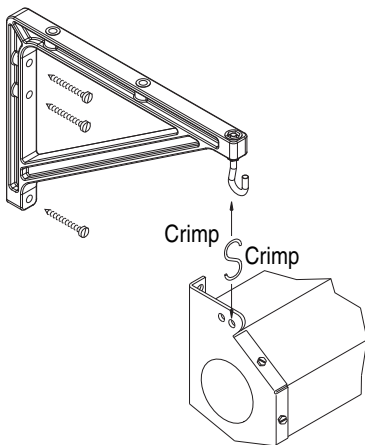


Use the **front** mounting hole in the endcap for recessed mounting flush with the ceiling. Attach angle (not included) to screen then position and properly anchor screw fasteners (not included) into ceiling joists or other solid surface.

Recommended hardware: For mounting into wood or ceiling joist, use 3/16" bolts.

Please Note: Optional Floating Brackets are available with the Luma 2. They should be located on studs or joists. The bracket then attaches at any almost any point along the case. For details, see separate instruction sheet that ships with the Floating Wall Bracket.

Extension Brackets (Optional Equipment)



Wall mount the brackets (not included with screen) using hardware recommended for "Wall Mounting" (at right). Then, suspend the screen from the **front** mounting hole in the endcap with "S" hooks (as in "Ceiling Suspended"). For added safety, crimp both ends of the "S" hooks so the screen cannot come off.

Operating Instructions—Standard

To lower picture surface, pull screen down. *Hesitate*—then allow screen to retract *very slowly* until it locks in place.

To raise picture surface, pull screen down and, while holding, allow for slow retraction into the case to reduce risk of injury from falling screen.

Please Note: If the surface stops between the full up or full down positions, it will not retract completely back into the case. Please lower the surface to the full down position and then let it retract all the way back into the case without stopping or slowing it down.

Operating Instructions—AutoReturn

To lower picture surface, pull screen down. *Hesitate*—then allow screen to retract *very slowly* until it locks in place.

To raise picture surface, pull screen down gently until it stops, then release.

DRAPER®

411 S. Pearl St., Spiceland, IN 47385 USA ■ 765-987-7999

www.draperinc.com ■ fax 765-987-7142

Copyright © 2012 Draper Inc. Form Luma2_Inst12-R2 Printed in U.S.A.

If you encounter any difficulties installing or servicing your screen, call your dealer or Draper, Inc., Spiceland, Indiana, (765) 987-7999 or fax (765) 987-7142.