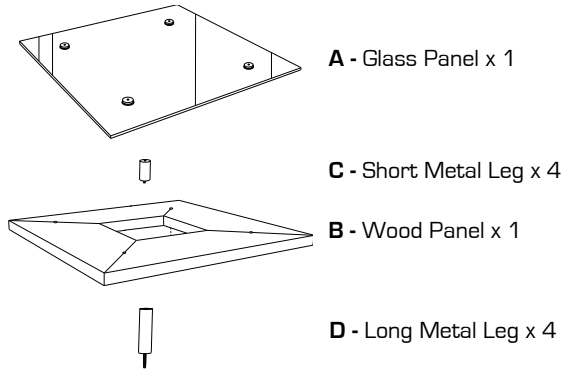


Component List



Your Hokkaido Furniture is engineered for easy assembly. Carefully follow this procedure to prevent any damage.

NOTE: This instruction sheet is intended for the entire Hokkaido Table collection; model 2300 is shown for illustration.

Placement and Maintenance

Hokkaido Furniture is designed for indoor use on level floors. Clean glass with glass cleaner, and steel parts and wood veneer with a moist cloth.

Step 1

Unpack and identify the parts listed. The assembly workspace should be a non-marring surface such as carpet. For missing hardware pieces please contact BDI Customer Service at customerservice@bdiusa.com. For all other concerns, please contact your BDI Retailer.

Step 2

Lay **Glass Panel (A)** so that the pucks are facing up.

Step 3

Install **Short Metal Leg (C)** to glass puck.

Step 4

Lay **Wood Panel (B)** onto previously installed upper legs. **NOTE:** Finished wood side facing downward.

Step 5

Install **Long Metal Leg (D)** through wood panel hole and into the threaded hole of **Short Metal Leg (C)**.

Step 6

Flip assembled unit over onto base leg position.

