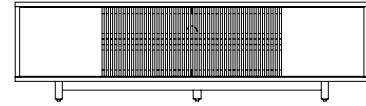




vertica
8559

home theater

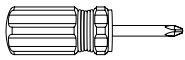
assembly instructions



bdiusa.com

customerservice@bdiusa.com

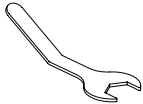
Component List



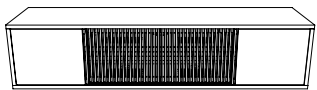
A - Phillips Screwdriver
x 1



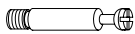
B1 - Hex Wrench
x 1



B2 - Leveler Wrench
x 1



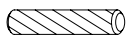
C - Cabinet x 1



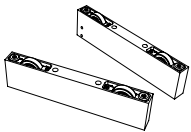
D - Cam Bolt x 2



E - Cam Fitting x 2



F - Wood Dowel x 2



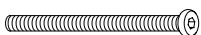
G - Side Legs x 2



H - Base Stretcher
x 1



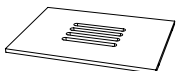
I - Center Leg x 1



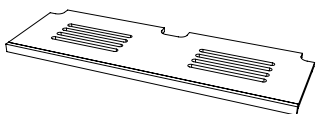
J - 1/4-20 x 60 mm
Machine Screw
x 3



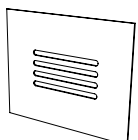
K - 1/4-20 x 100 mm
Machine Screw
x 6



L - Adjustable Shelf
x 2



M - Large Adjustable
Shelf x 1

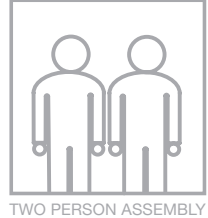


N - Back Panel
x 2

Vertica is engineered for easy assembly. Carefully follow this procedure to prevent any damage.

Placement and Maintenance

Vertica is designed for indoor use on level floors. Clean wood veneer with a moist cloth.



TWO PERSON ASSEMBLY

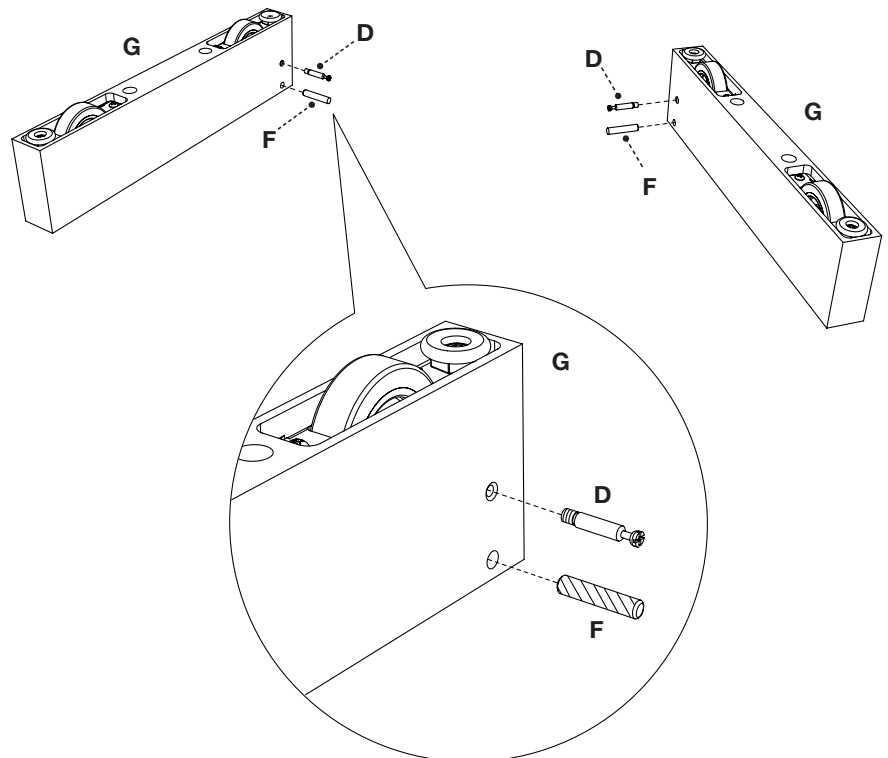
Step 1

Unpack and Identify

Unpack and identify the components at left. Note that some components are shipped inside the cabinet. The assembly workspace should be a non-marring surface such as carpet. For missing hardware pieces, please contact BDI Customer Service at customerservice@bdiusa.com. For all other concerns, please contact your BDI Retailer.

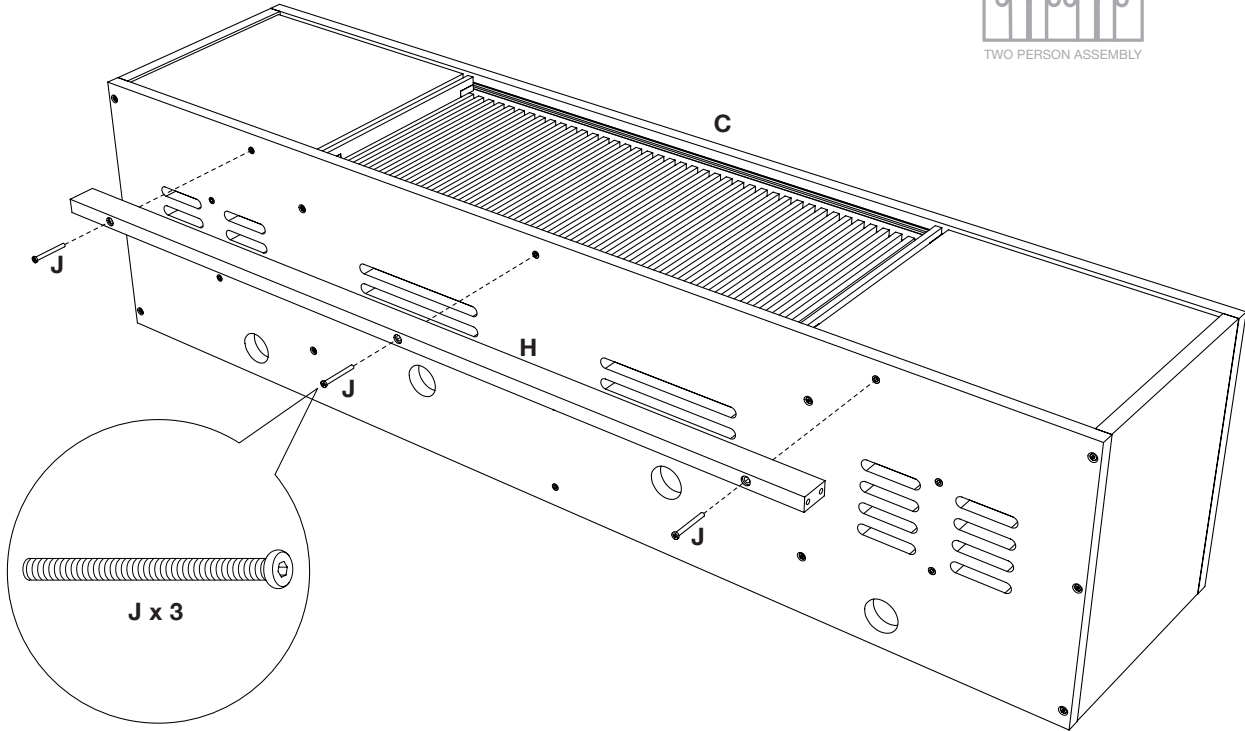
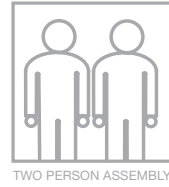
Step 2

Install and tighten **Cam Bolts (D)** into **Side Legs (G)** using **Phillips Screwdriver (A)**. Insert **Wood Dowels (F)** into corresponding holes of **Side Legs (G)**.



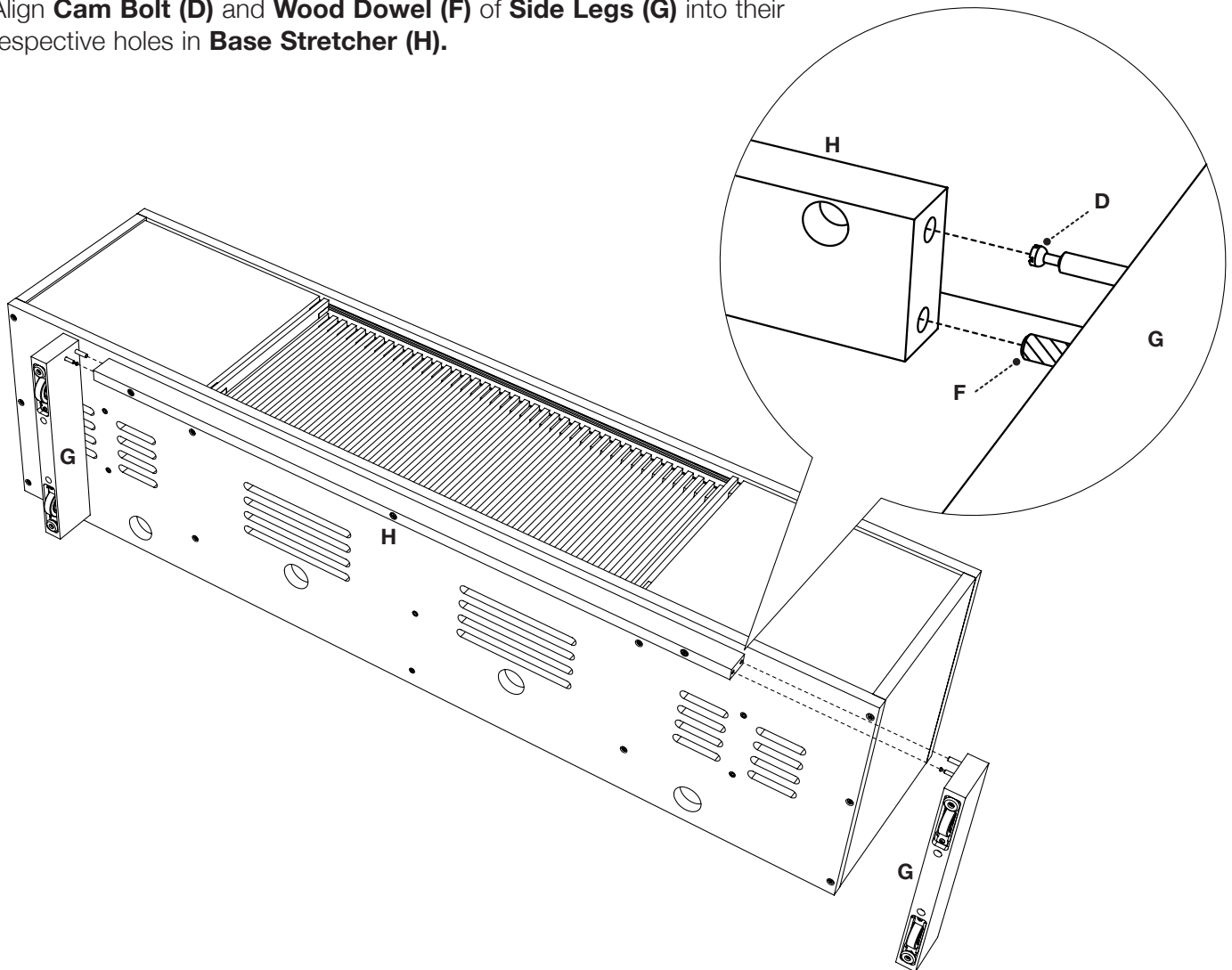
Step 3

Carefully lay **Cabinet (C)** on its back. Attach **Base Stretcher (H)** to bottom of **Cabinet (C)** using **Screw (J)**. Only hand tighten screws at this point.



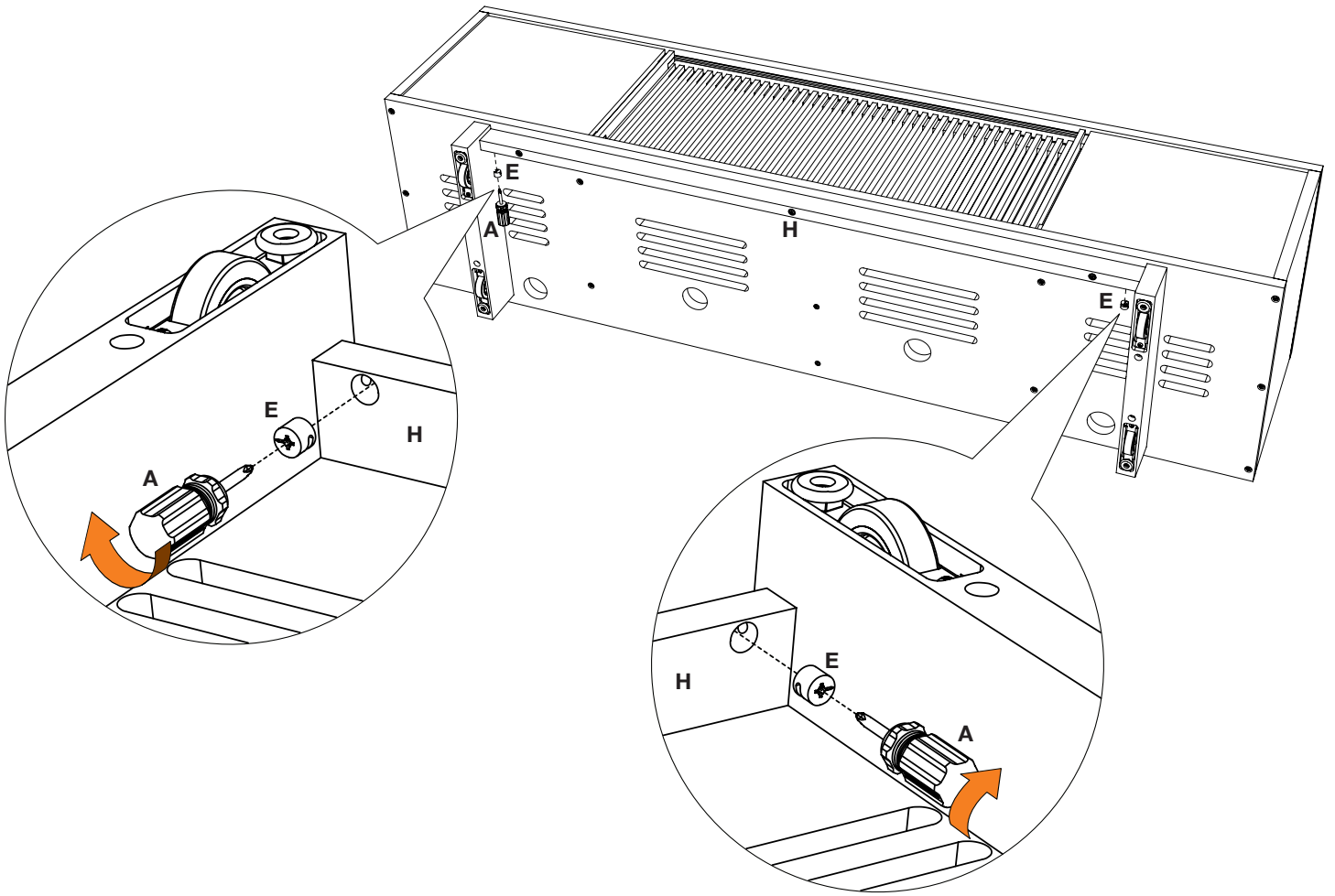
Step 4

Align **Cam Bolt (D)** and **Wood Dowel (F)** of **Side Legs (G)** into their respective holes in **Base Stretcher (H)**.



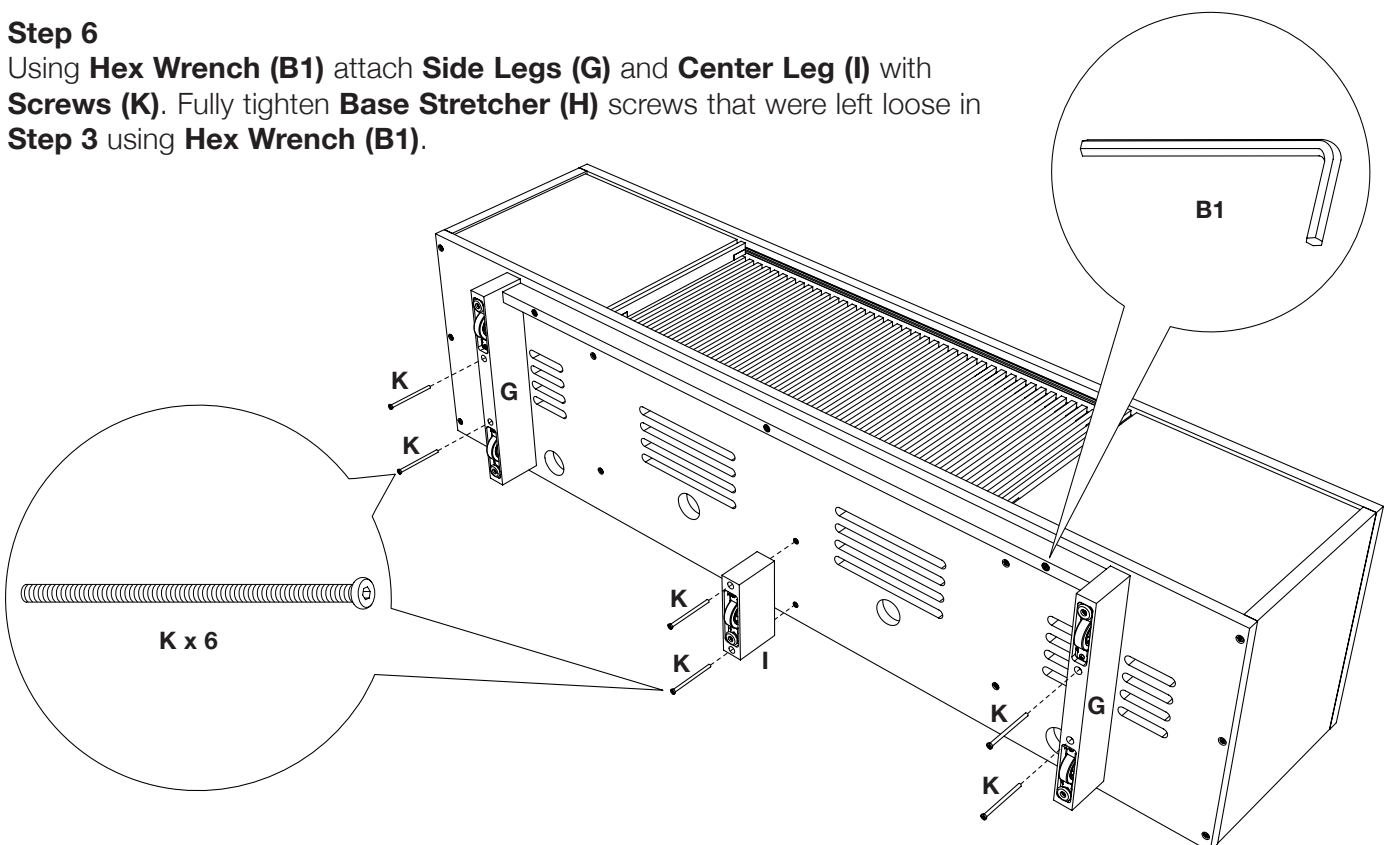
Step 5

Insert **Cam Fittings (E)** into holes of **Base Stretcher (H)** with the arrow of the **Cam Fitting (E)** pointing outward on each end of the Stretcher. Tighten each **Cam Fitting (E)** clockwise using **Phillips Screwdriver (A)** until it no longer rotates.



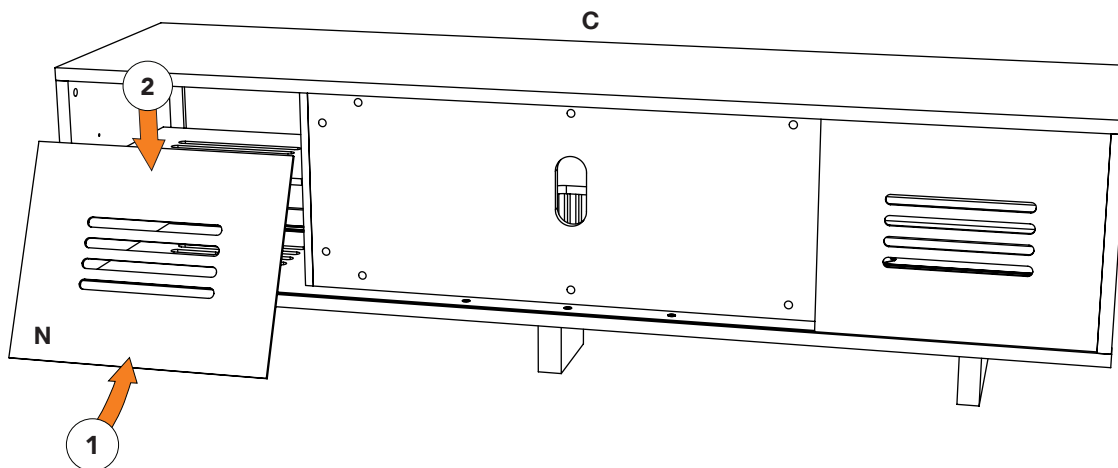
Step 6

Using **Hex Wrench (B1)** attach **Side Legs (G)** and **Center Leg (I)** with **Screws (K)**. Fully tighten **Base Stretcher (H)** screws that were left loose in **Step 3** using **Hex Wrench (B1)**.



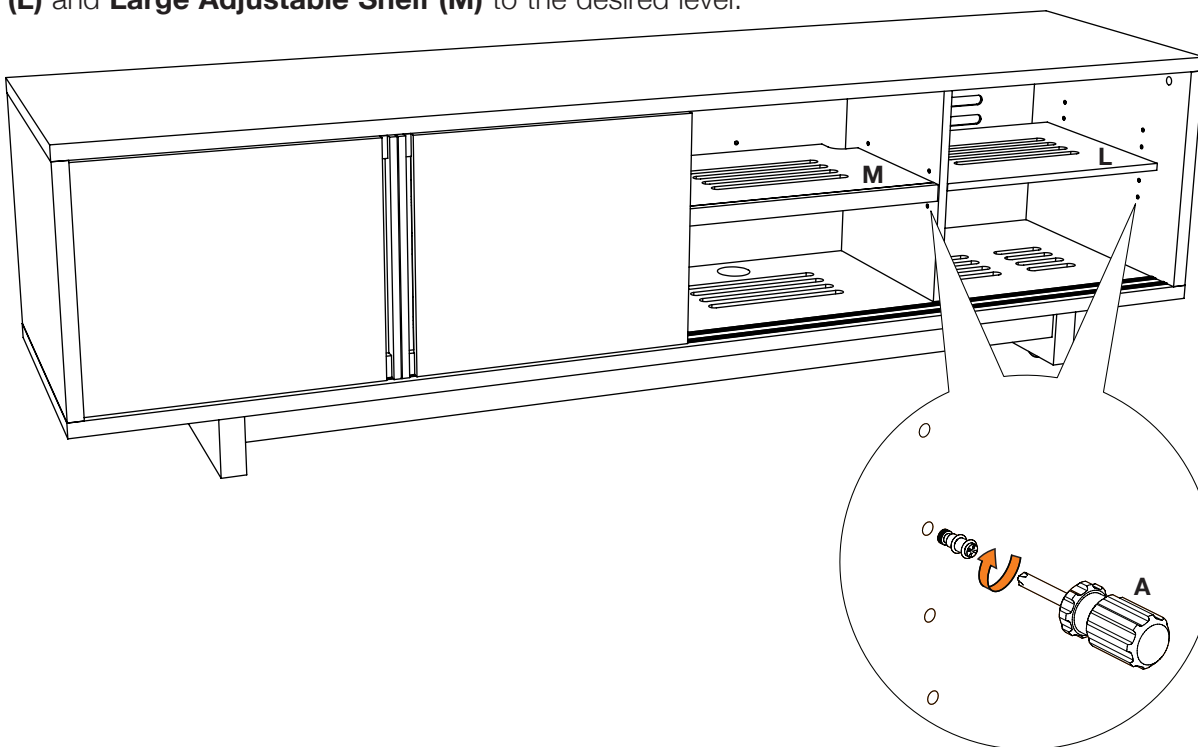
Step 7

Position Cabinet right side up and install **Back Panel (N)** to the backside of the **Cabinet (C)** by inserting top edge in upper channel then tipping bottom edge forward and into lower channel.

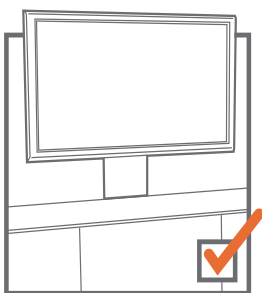


Adjustable Shelves

The shelf pins located inside all three cabinet spaces may be repositioned using **Phillips Screwdriver (A)**, allowing you to raise or lower both **Adjustable Shelf (L)** and **Large Adjustable Shelf (M)** to the desired level.



Optional Flat Panel TV Mount



This BDI cabinet is compatible with **BDI's Arena Flat-Panel TV Mount #9970 and #9972** (sold separately), with the following features:

- accommodates most TVs up to 65", 175 lbs
- swivel allows rotating for optimal viewing
- allows adjustable TV mounting height
- accepts and routes cables to and from the TV

For more information, visit www.bdiusa.com