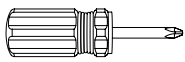


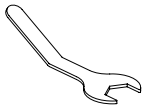
Component List



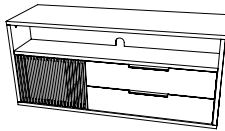
A - Phillips Screwdriver
x 1



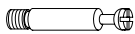
B1 - Hex Wrench
x 1



B2 - Leveler Wrench
x 1



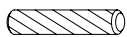
C - Cabinet x 1



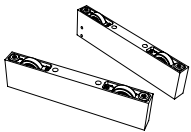
D - Cam Bolt x 2



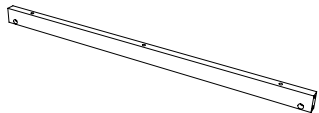
E - Cam Fitting x 2



F - Wood Dowel x 2



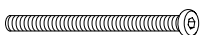
G - Side Legs x 2



H - Base Stretcher
x 1



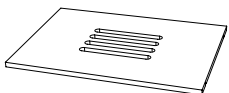
I - Center Leg x 1



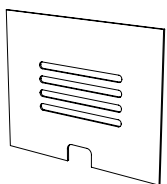
J - 1/4-20 x 60 mm
Machine Screw
x 3



K - 1/4-20 x 100 mm
Machine Screw
x 6



L - Adjustable Shelf
x 1



M - Back Panel
x 1

Vertica is engineered for easy assembly. Carefully follow this procedure to prevent any damage.

Placement and Maintenance

Vertica is designed for indoor use on level floors. Clean wood veneer with a moist cloth.



TWO PERSON ASSEMBLY

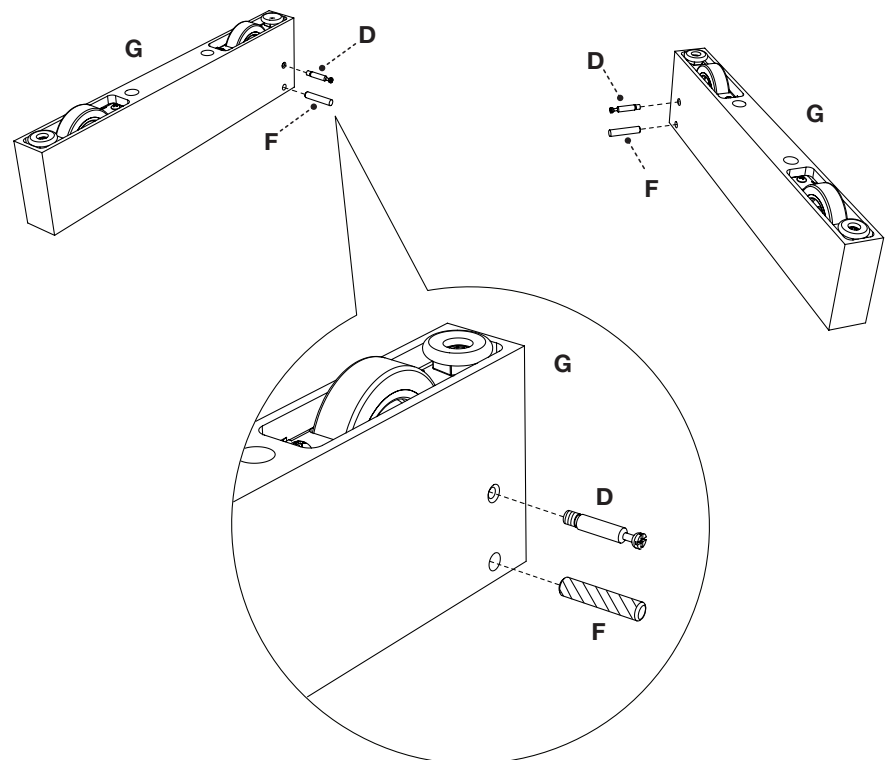
Step 1

Unpack and Identify

Unpack and identify the components at left. Note that some components are shipped inside the cabinet. The assembly workspace should be a non-marring surface such as carpet. For missing hardware pieces, please contact BDI Customer Service at customerservice@bdiusa.com. For all other concerns, please contact your BDI Retailer.

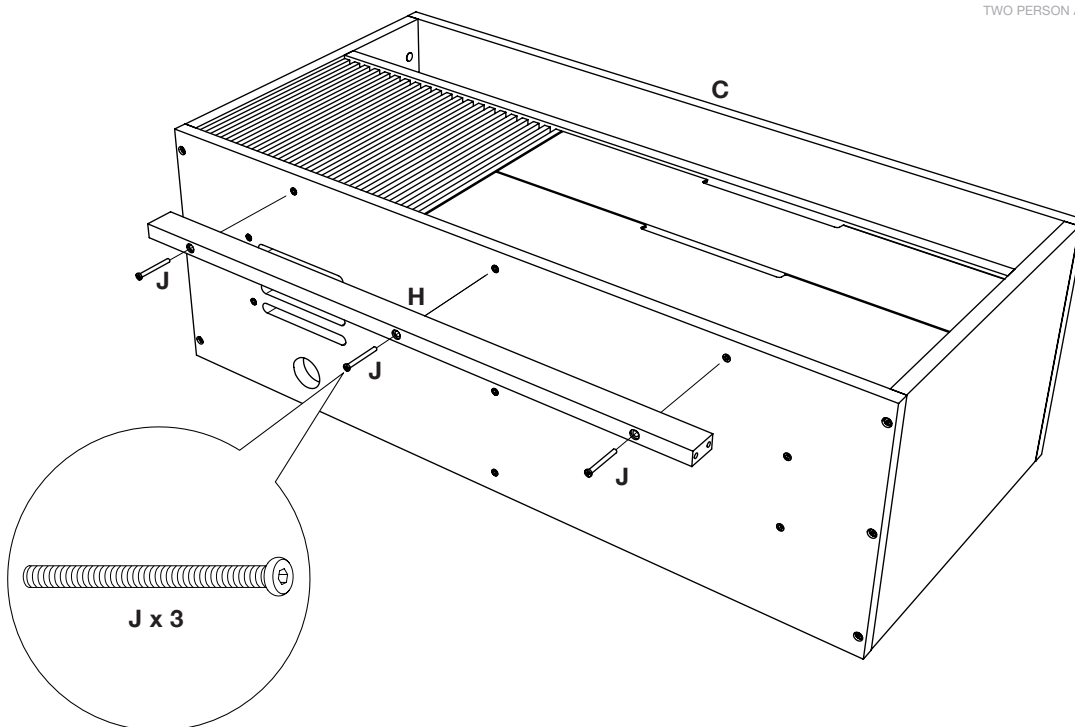
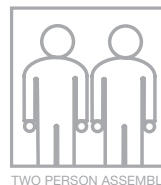
Step 2

Install and tighten **Cam Bolts (D)** into **Side Legs (G)** using **Phillips Screwdriver (A)**. Insert **Wood Dowels (F)** into corresponding holes of **Side Legs (G)**.



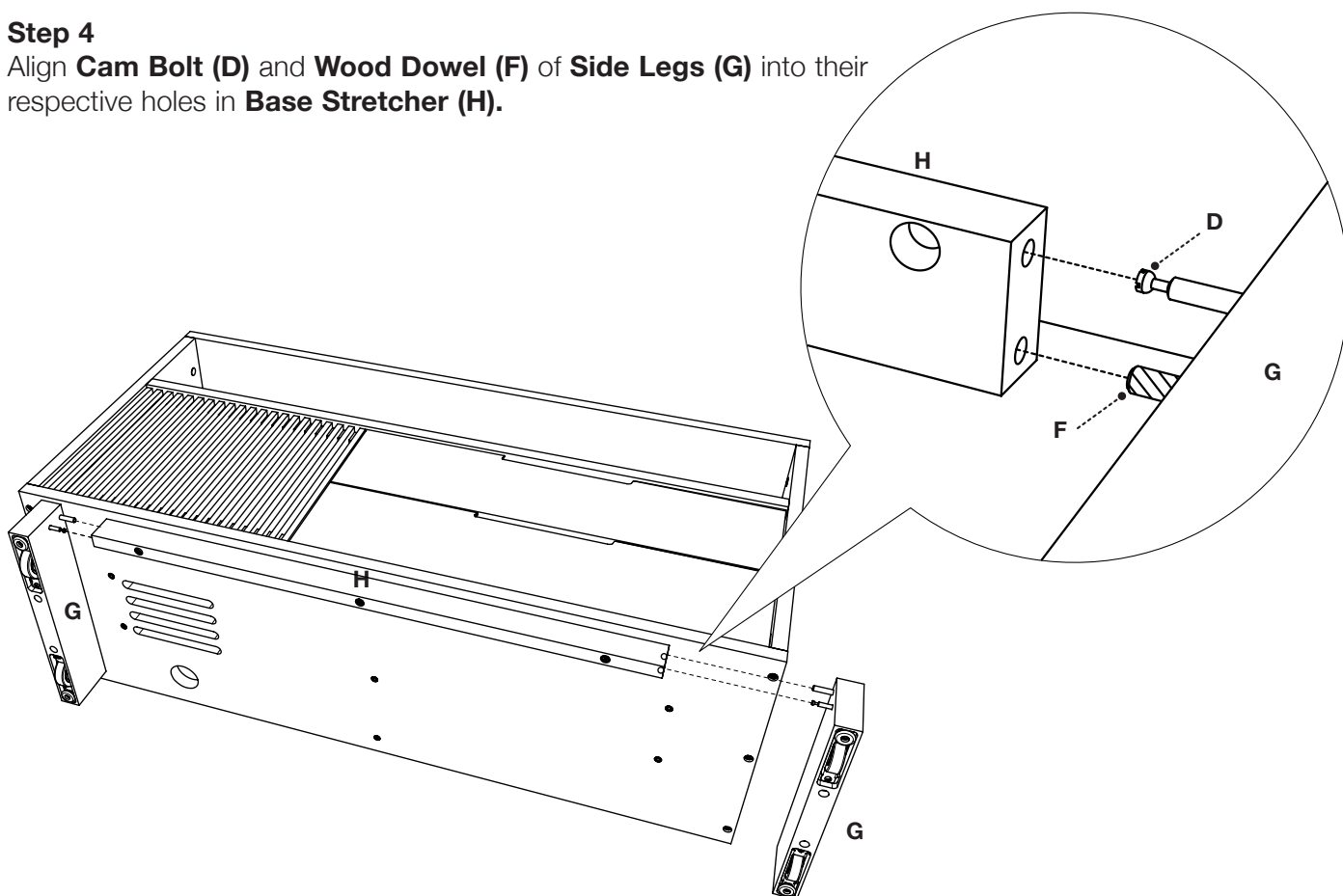
Step 3

Carefully lay **Cabinet (C)** on its back. Attach **Base Stretcher (H)** to bottom of **Cabinet (C)** using **Screw (J)**. Only hand tighten screws at this point.



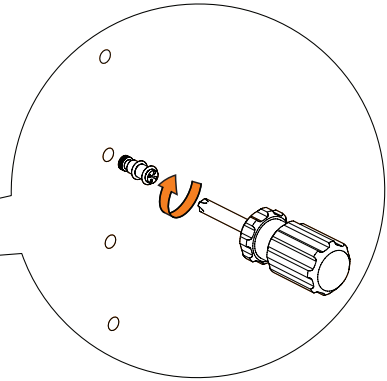
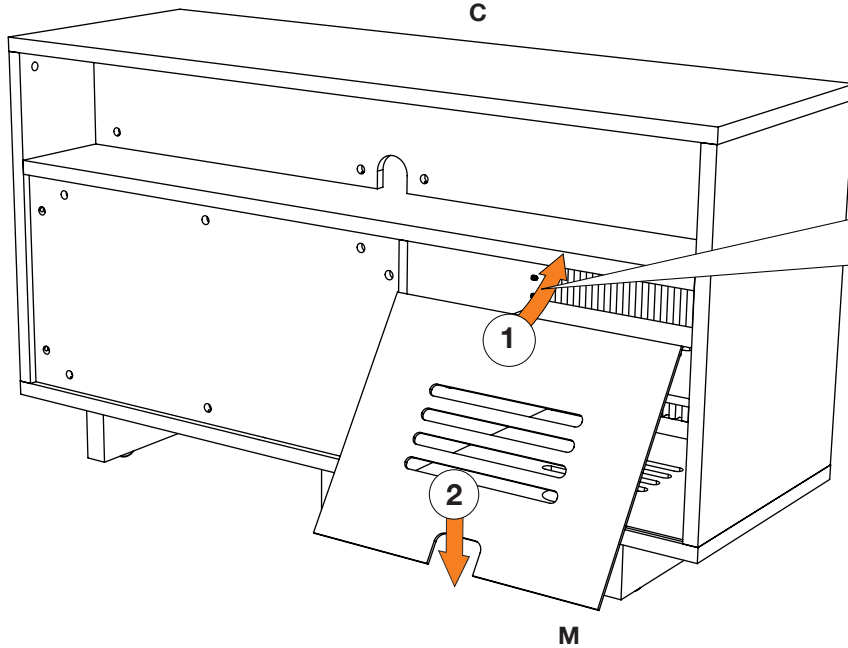
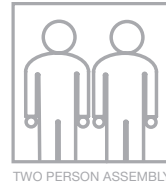
Step 4

Align **Cam Bolt (D)** and **Wood Dowel (F)** of **Side Legs (G)** into their respective holes in **Base Stretcher (H)**.



Step 7

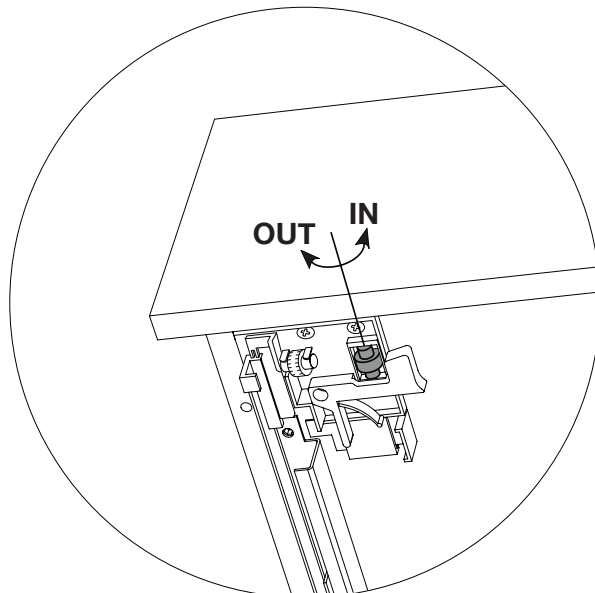
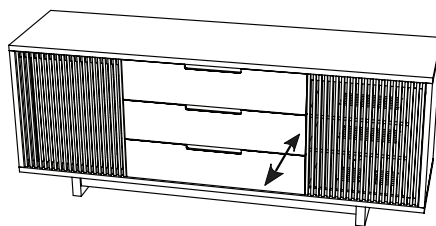
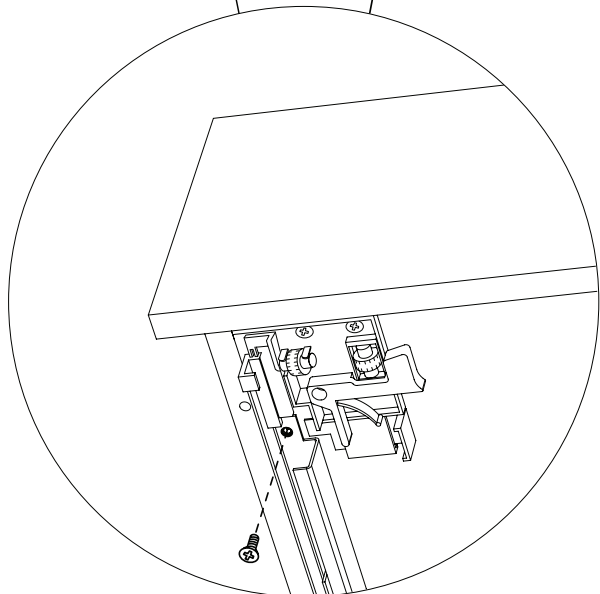
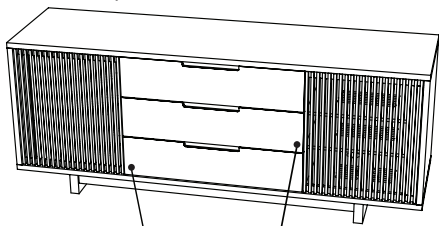
Position Cabinet right side up while carefully supporting drawer fronts to prevent drawers from sliding open. Install **Back Panel (M)** to the backside of the **Cabinet (C)** by inserting top edge in upper channel then tipping bottom edge forward and into lower channel.



The shelf pins located inside the outer cabinet spaces may be repositioned, allowing you to raise and lower the **Adjustable Shelf (L)** to the desired level.

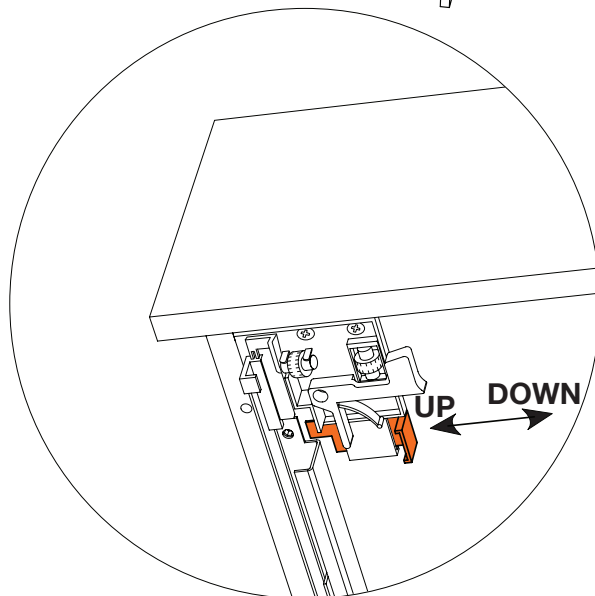
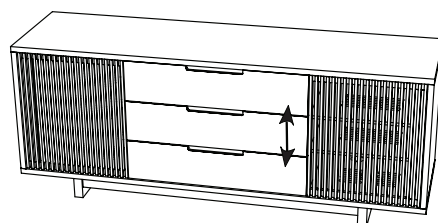
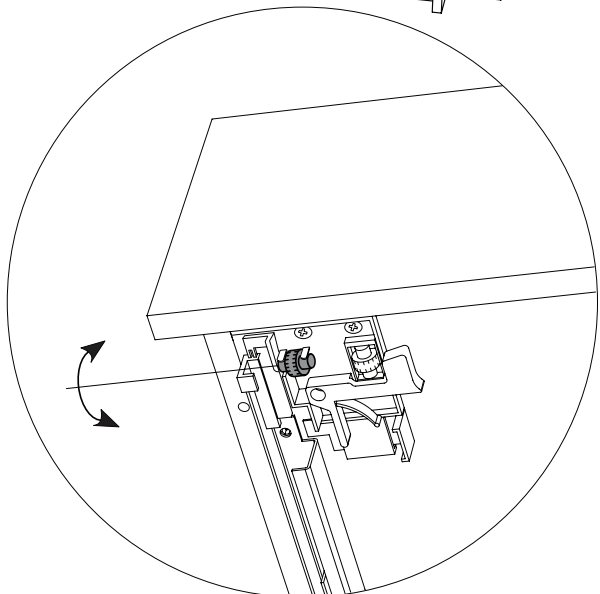
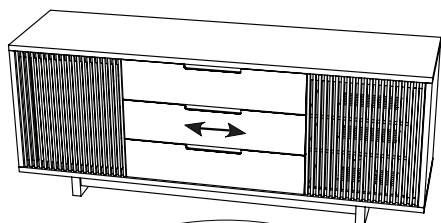
Step 8

Drawer Position Options



Two (2) adjustment mechanisms are found on underside of each Vertica drawer, at left and at right. **All drawer position adjustments require removal of indicated screw on both adjustment mechanisms.** Save screws for re-installation prior to any future cabinet shipment.

Front-to-Back Adjustment: Turn Black Wheel on one or both mechanisms, as necessary, to adjust drawer position in or out.

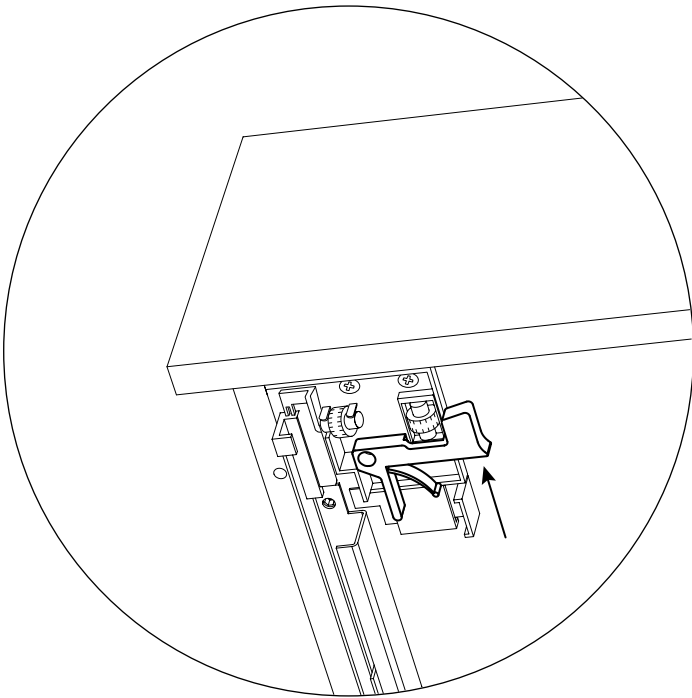


Lateral Adjustment: Turn White Wheel on both mechanisms to adjust drawer position left or right.

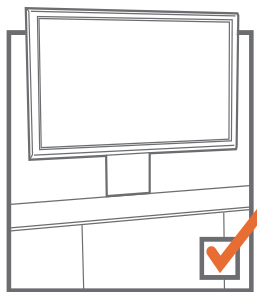
Vertical Adjustment: Manipulate Orange Lever on one or both mechanisms, as necessary, to adjust drawer position up or down.

Step 8b

Drawer Removal: Depress Orange Release Lever on both mechanisms simultaneously, then carefully lift drawer up and away from cabinet.



Optional Flat Panel TV Mount



This BDI cabinet is compatible with **BDI's Arena Flat-Panel TV Mount #9972** (sold separately), with the following features:

- accommodates most TVs up to 70", 175 lbs
- swivel allows rotating for optimal viewing
- allows adjustable TV mounting height
- accepts and routes cables to and from the TV

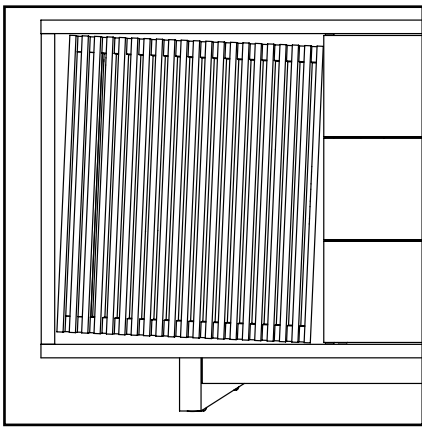
For more information, visit www.bdiusa.com

Fine tuning your new BDI Vertica Home Theater Furniture

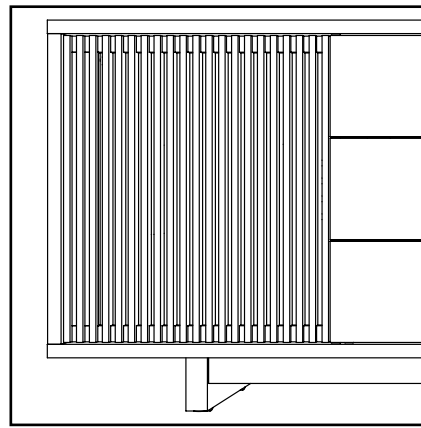
These steps are to be followed after you have unpacked and completed the simple assembly instructions for your Vertica AV cabinet. Due to jostling in freight or perhaps an uneven floor, the door on your Vertica cabinet may not appear to be in perfect alignment. Making a few minor adjustments can rectify this situation. Be aware that depending on your situation, patience and a bit of trial and error are required.

STEP 1 - Level your Vertica unit

Levelers are integrated into each leg assembly and are accessed at the bottom of each cabinet leg using **Leveler Wrench (B2)**. If your floor is uneven, you may extend one or more levelers to attain a level, stable cabinet placement. Turning the leveler clockwise will extend the leveler; turning it counter-clockwise will retract it.



INCORRECT! Door is out of alignment with the rest of the unit.



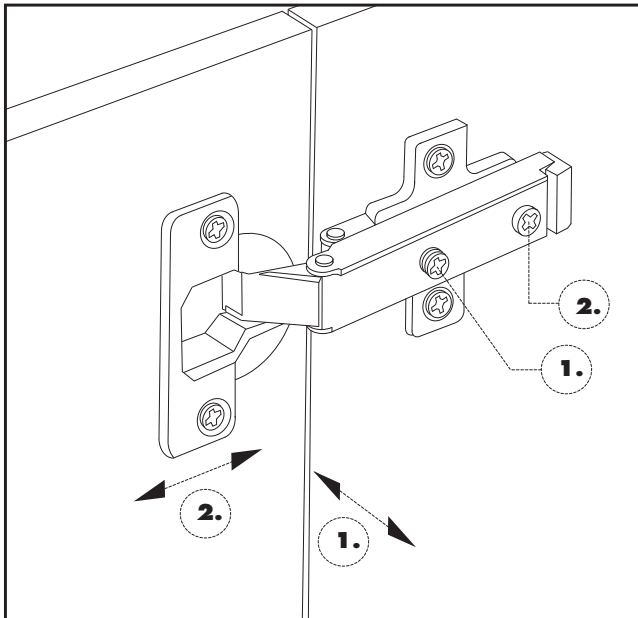
CORRECT! Door is sitting squarely and evenly spaced on tops and sides.

STEP 2 - Adjust Door Hinges (if needed)

The door on your cabinet should be evenly spaced and should open/close freely without rubbing against the door frame.

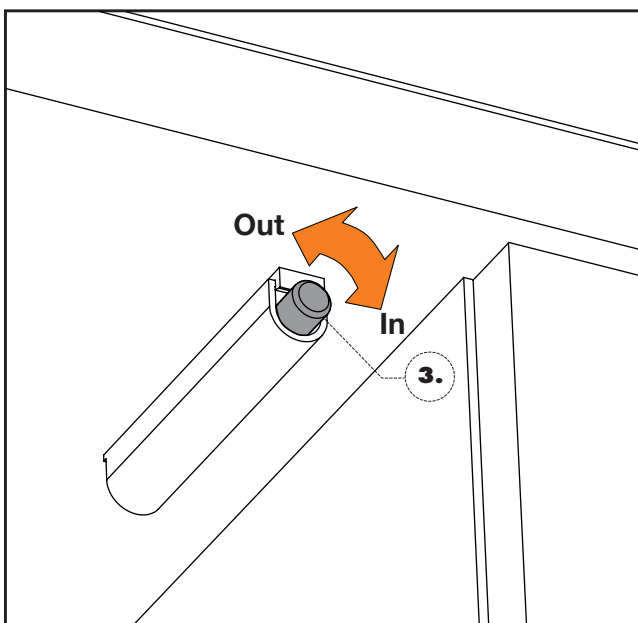
If the doors appear out of alignment, this condition can be corrected with minor adjustment to the European hinges on each door.

Because these hinges are infinitely adjustable, adjusting one hinge element can sometimes cause the need for adjustments to other elements. But with a few adjustments, you can modify the orientation of the door to make sure that it is aligned within your cabinet.



Use the supplied **Phillips Screwdriver (A)** to adjust Vertica's door hinges:

- By adjusting **Screw 1**, the door will move LEFT or RIGHT within the frame. Make minor adjustments at both top and bottom hinges for best results.
- By adjusting **Screw 2** the entire door will move IN or OUT, opening or closing the gap between the door frame and cabinet. (This screw rarely needs adjustment.)



Use the **Push Rebound Mechanism (3)** :

- By adjusting the dial **Clockwise**, the door will move IN when closed.
- By adjusting the dial **Counter Clockwise**, the door will move OUT when closed.

