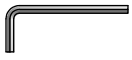
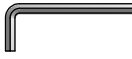


### Component List



**A** - 4mm Hex L-Wrench  
x 1



**A1** - 5mm Hex L-Wrench  
x 1



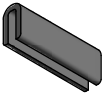
**B** - 1/4-20 x 15mm  
Machine Screws  
9221 x 14  
9224 x 12  
9234 x 12  
9239 x 12



**C** - Shelf Pin  
9221 x 8  
9224 x 4  
9234 x 4  
9239 x 4



**D** - Rubber Stem Bumpers  
9221 x 28  
9224 x 21  
9234 x 21  
9239 x 21



**E** - Rubber U-Channel  
x 1

**F** - Front Frame x 1

**G** - Leg Frame x 2

**H** - Back Panel x 1

**I** - Shelf Frame  
9221 x 2  
9224 x 1  
9234 x 1  
9239 x 1

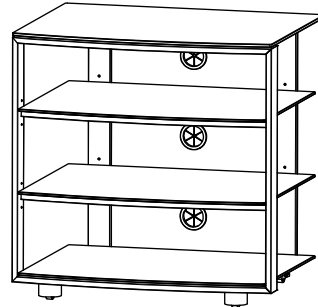
**J** - Glass Top Shelf x 1

**K** - Glass Middle Shelf  
9221 x 3  
9224 x 2  
9234 x 2  
9239 x 2

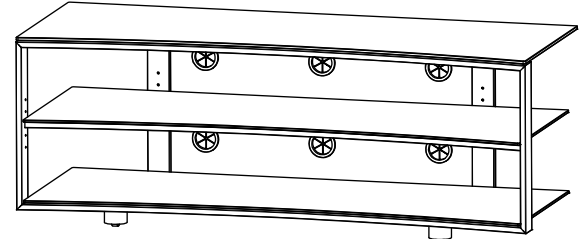
VEXA is engineered for easy assembly. Carefully follow this procedure to prevent any damage.

### Placement and Maintenance

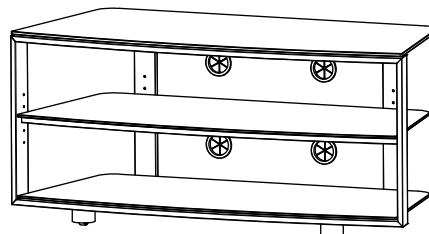
VEXA is designed for indoor use on level floors. Clean glass with glass cleaner, and steel frame with a moist cloth.



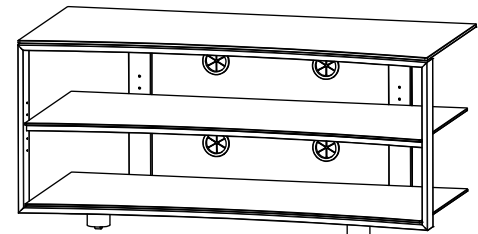
9221



9239



9224

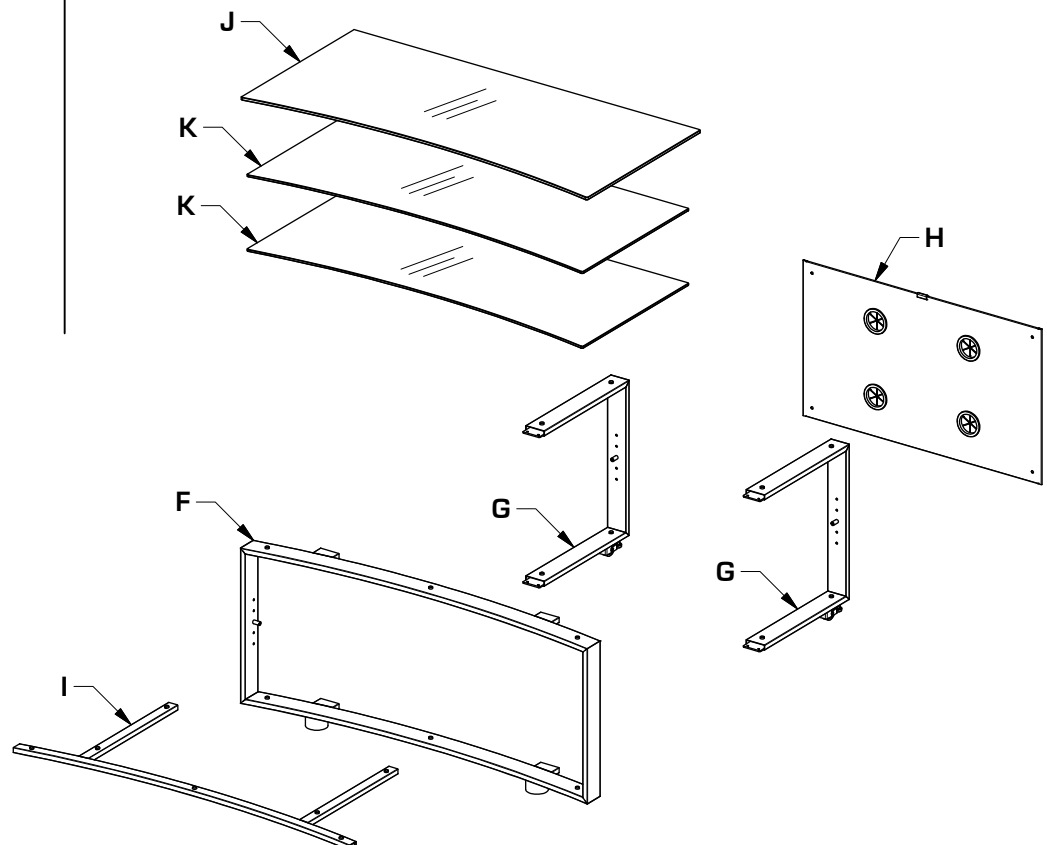


9234

### Step 1

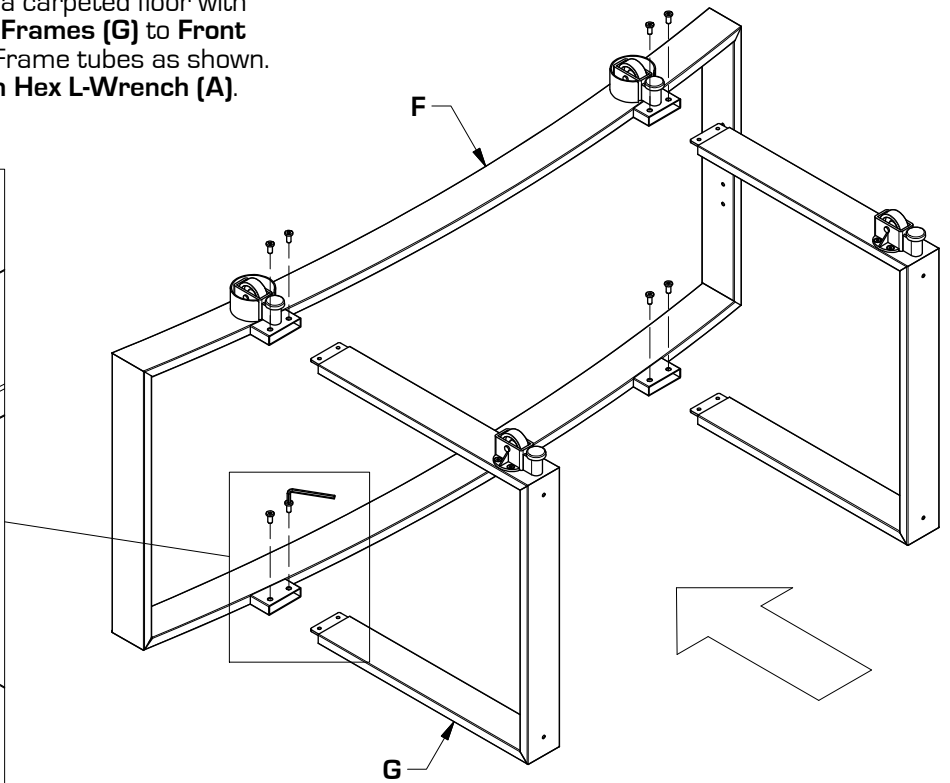
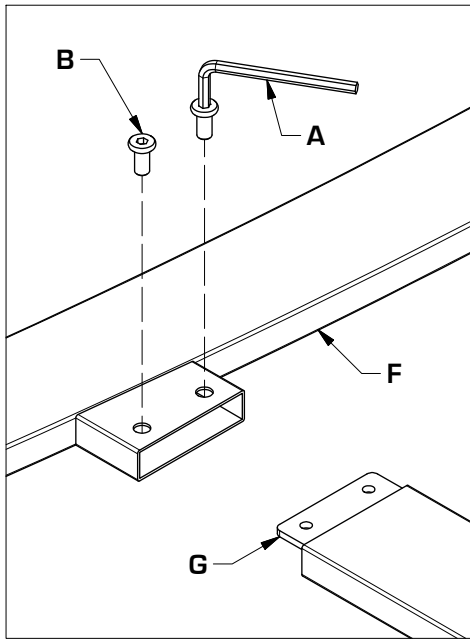
#### Unpack and Identify

Unpack and identify the components at left. The assembly workspace should be a non-marring surface such as carpet. For missing hardware pieces, please contact BDI Customer Service at [customerservice@bdiusa.com](mailto:customerservice@bdiusa.com). For all other concerns, please contact your BDI Retailer.



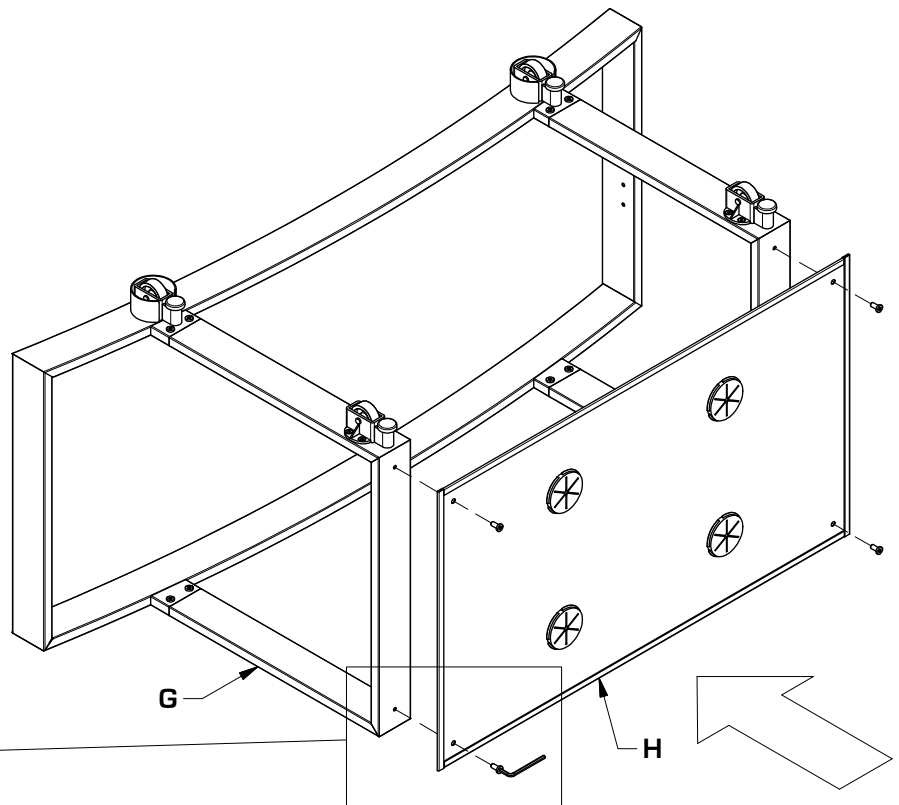
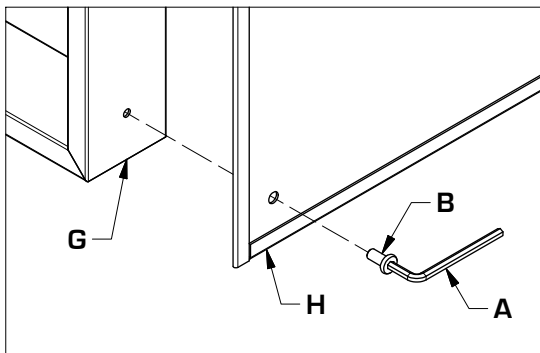
**Step 2**  
**Attach Legs**

Place **Front Frame (F)** upside down on a carpeted floor with wheels facing up as shown. Attach **Leg Frames (G)** to **Front Frame (F)** by inserting Legs into Front Frame tubes as shown. Tighten **Machine Screws (B)** with **4mm Hex L-Wrench (A)**.



**Step 3**  
**Attach Back Panel**

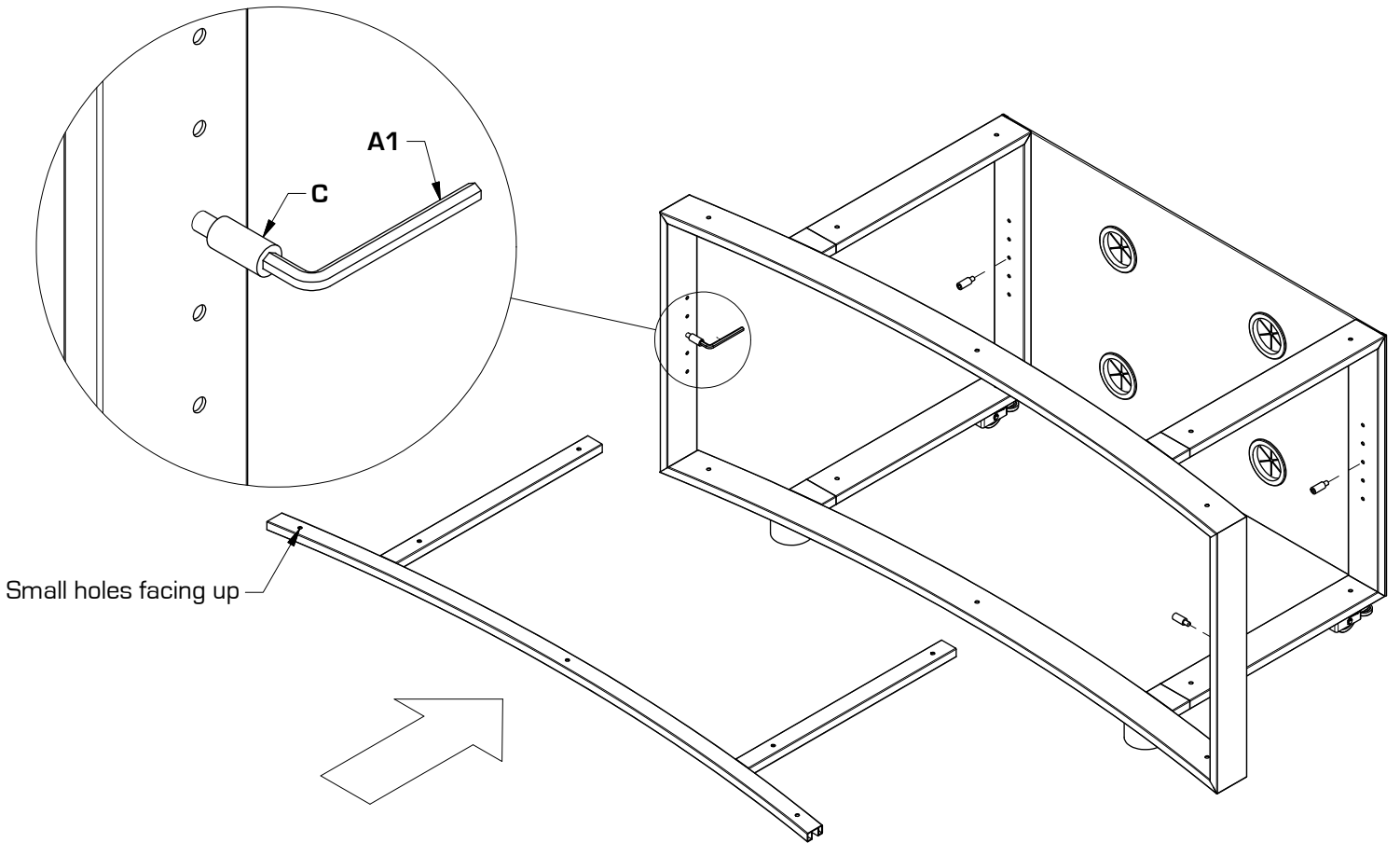
Attach **Back Panel (H)** to **Leg Frames (G)** with **Machine Screws (B)** and tighten using **4mm Hex L-Wrench (A)**. Folded edges on **Back Panel (H)** should face out as shown.



#### Step 4

##### Install Shelf Frame

Turn unit over onto the wheels. Determine shelf position, then tighten **Shelf Pins (C)** into holes in **Front Frame (E)** and **Leg Frames (F)** with **5mm Hex L-Wrench (A1)**. Make certain all **Shelf Pins (C)** are in the same level holes. Install **Shelf Frame (H)** with small holes facing up and allow **Shelf Frame (H)** to rest on **Shelf Pins (C)**.

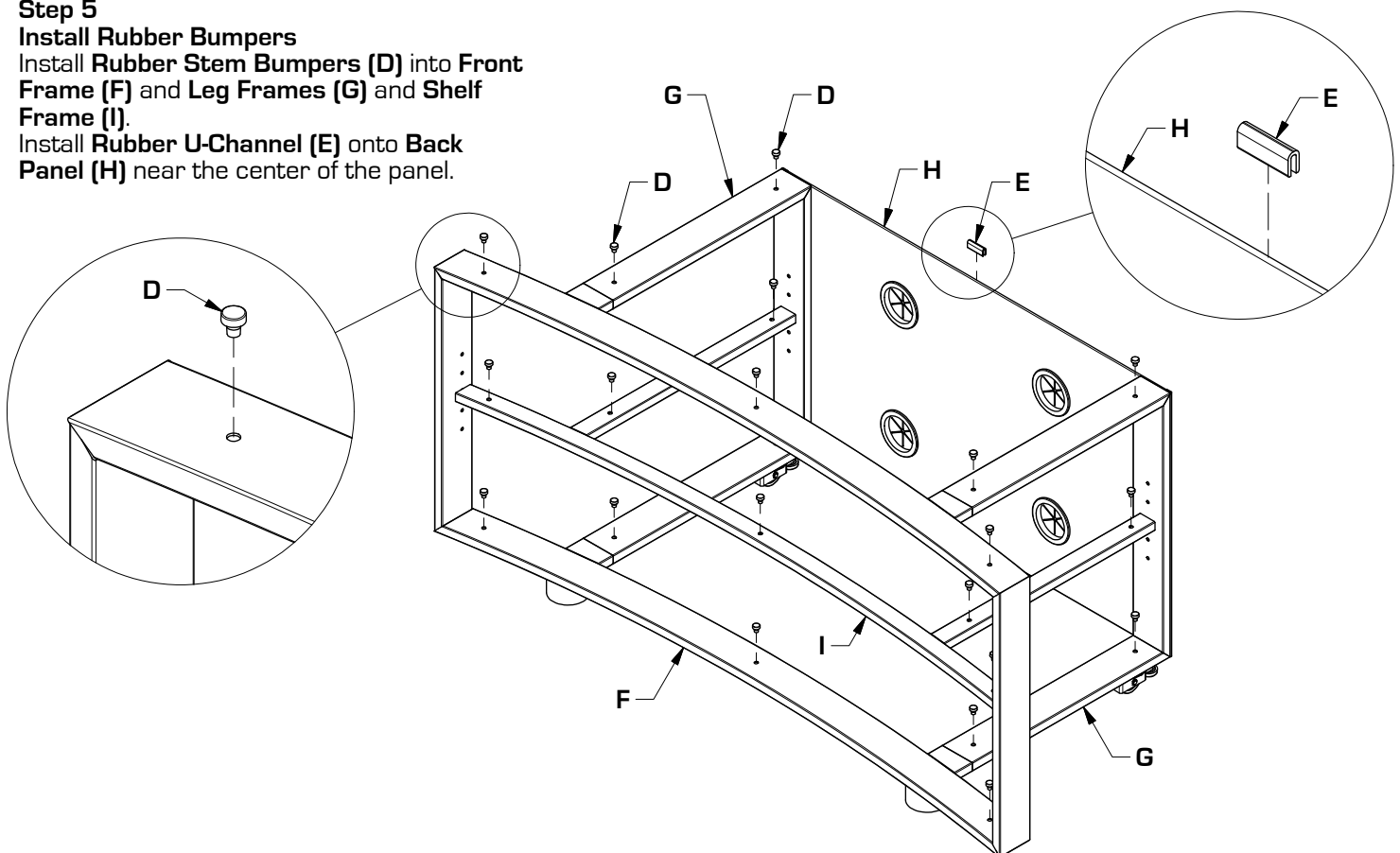


#### Step 5

##### Install Rubber Bumpers

Install **Rubber Stem Bumpers (D)** into **Front Frame (F)** and **Leg Frames (G)** and **Shelf Frame (I)**.

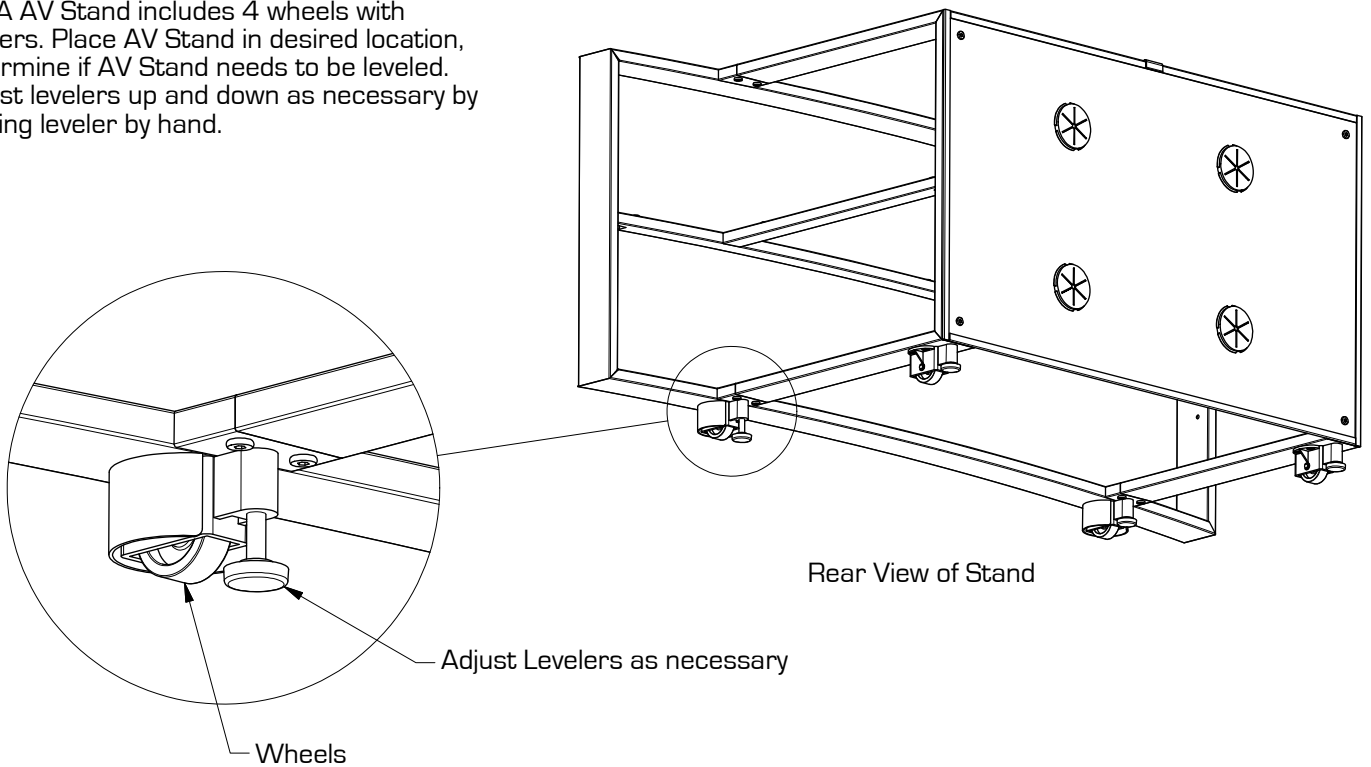
Install **Rubber U-Channel (E)** onto **Back Panel (H)** near the center of the panel.



## Step 6

### Position Stand and Adjust Levelers

VEXA AV Stand includes 4 wheels with levelers. Place AV Stand in desired location, determine if AV Stand needs to be leveled. Adjust levelers up and down as necessary by turning leveler by hand.

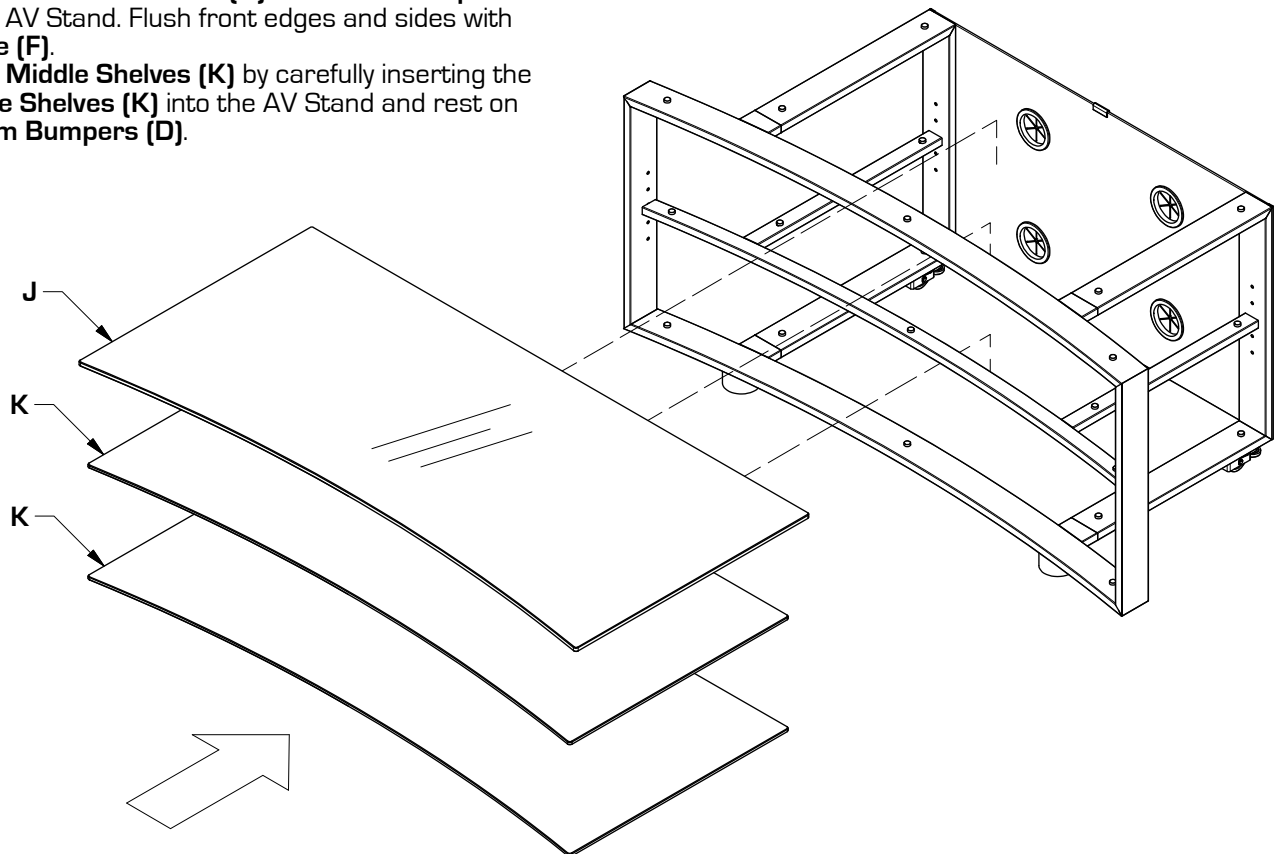


## Step 7

### Install Glass Shelves

Identify **Glass Top Shelf (J)**, it is thicker and larger in size than the **Glass Middle Shelves (K)**. Place **Glass Top Shelf (J)** on top of AV Stand. Flush front edges and sides with **Front Frame (F)**.

Install **Glass Middle Shelves (K)** by carefully inserting the **Glass Middle Shelves (K)** into the AV Stand and rest on **Rubber Stem Bumpers (D)**.



# ATTENTION

VEXA is intended for table top rear projection and flat panel TV's.

**This unit is NOT intended for CRT TV's.**

If rear projection is used on VEXA, TV must be positioned as far back as possible.

**Minimum 1" (25mm) from front edge of frame.**

