



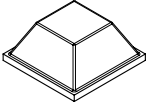
Component List



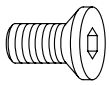
A - 3 mm Hex Wrench
x 1



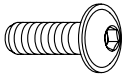
B - 4 mm Hex Wrench
x 1



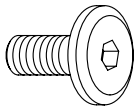
C - Rubber Bumper
x 3



D - 1/4-20 x 1/2"
Machine Screw
x 6



E - 3/16 x 13 mm
Machine Screw
x 2



F - 1/4-20 x 15 mm
Machine Screw
x 12

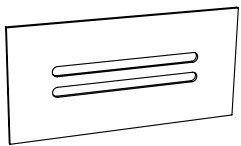
G - Glass Top
x 1

H - Top Support
x 1

I - Front Frame
x 1

J - Rear Frame
x 1

K - Cabinet
x 1



M - Back Panel
x 2

Sonda is engineered for easy assembly. Carefully follow this procedure to prevent any damage.

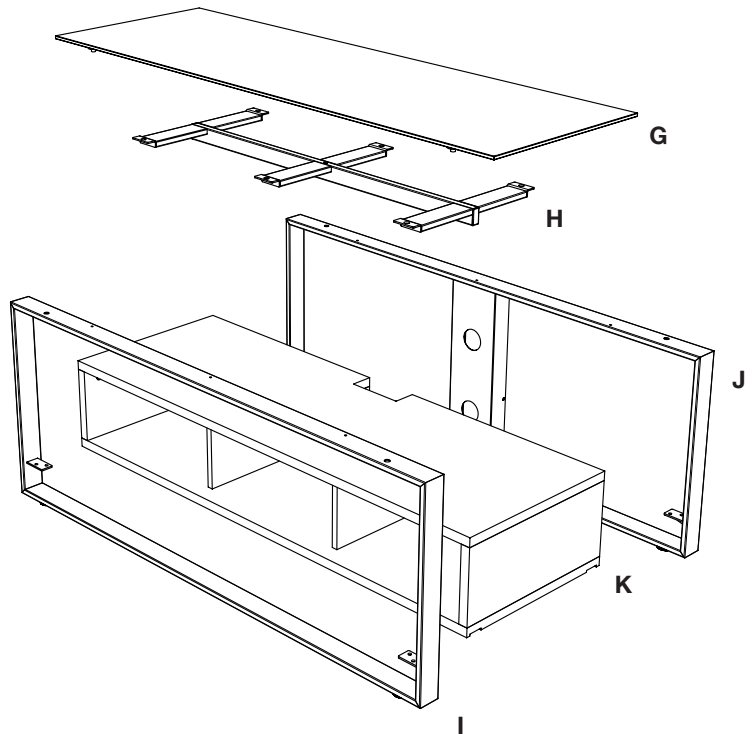
Placement and Maintenance

Sonda is designed for indoor use on level floors. Clean wood veneer with a moist cloth. Clean glass with glass cleaner.

Step 1

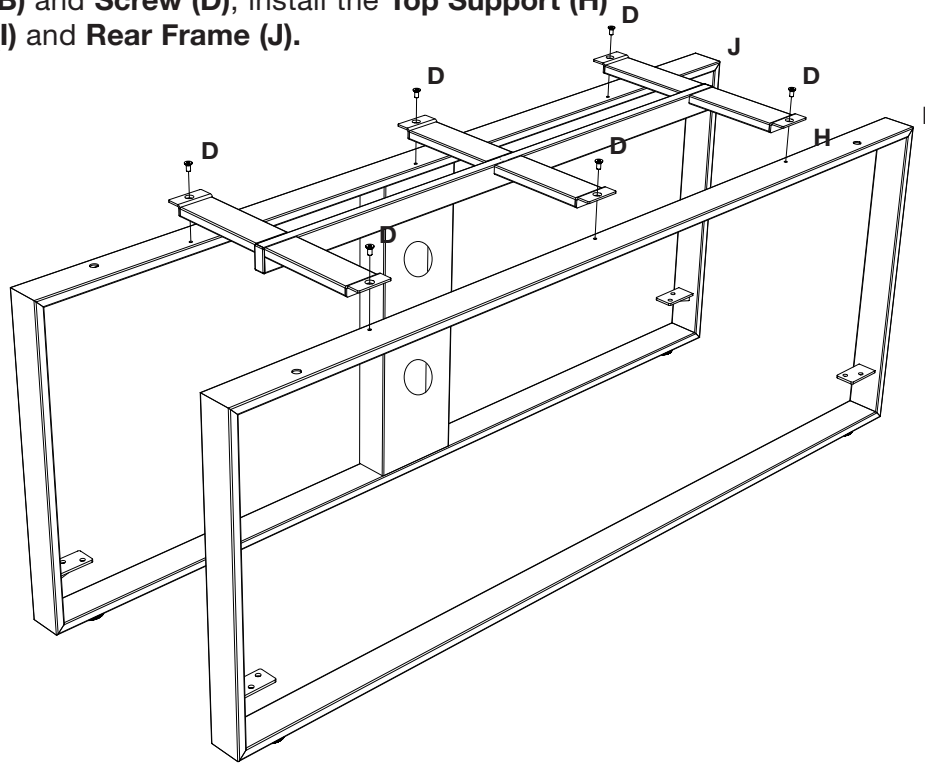
Unpack and Identify

Unpack and identify the components at left. Note that some components are shipped inside the cabinet. The assembly workspace should be a non-marring surface such as carpet. For missing hardware pieces, please contact BDI Customer Service at customerservice@bdiusa.com. For all other concerns, please contact your BDI Retailer.



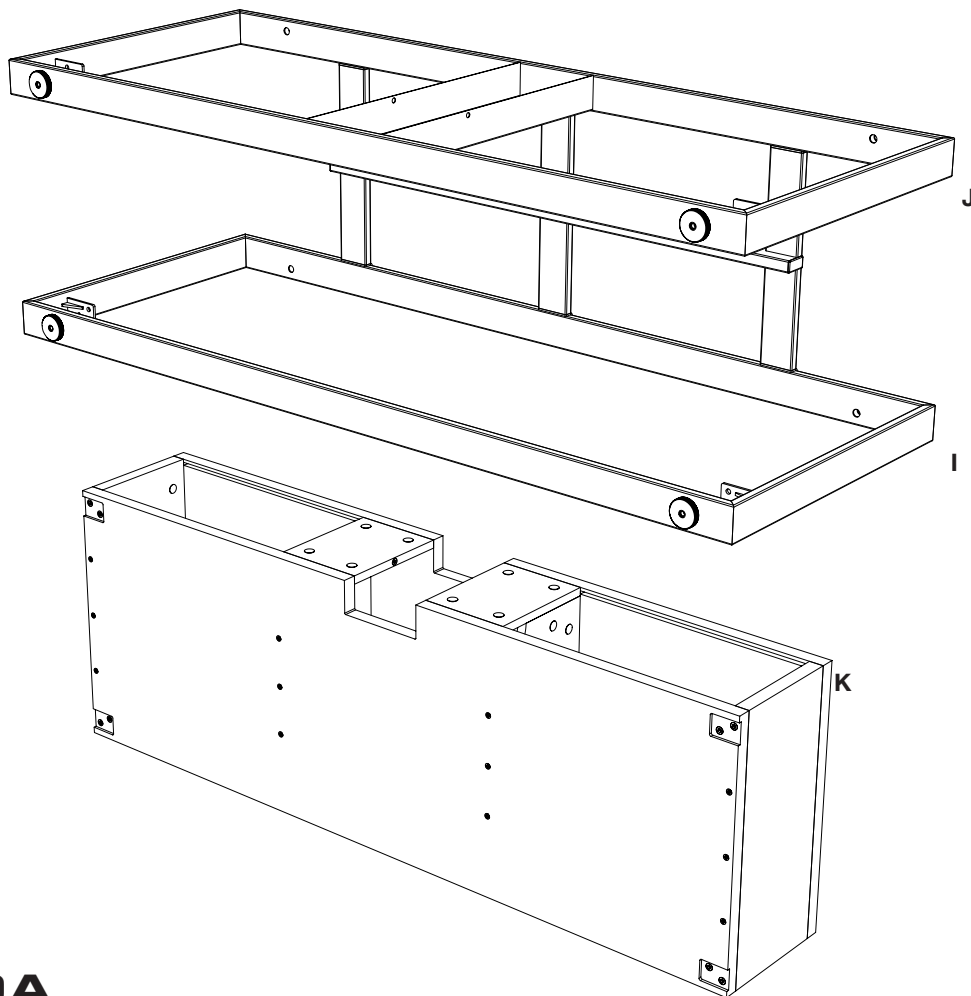
Step 2
Build Base Assembly

Using **Hex Wrench (B)** and **Screw (D)**, install the **Top Support (H)** to the **Front Frame (I)** and **Rear Frame (J)**.



Step 3

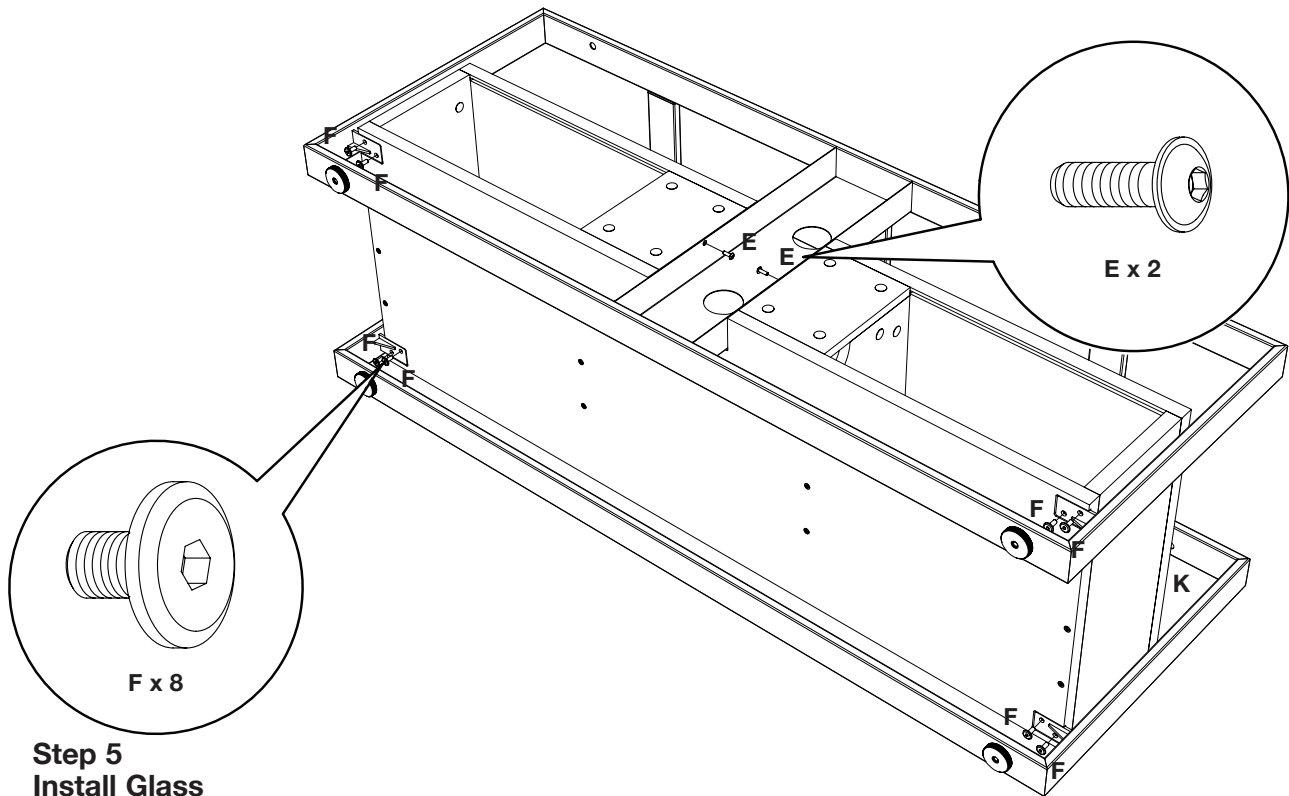
Carefully lay **Cabinet (K)** front-side down. With the help of another person, carefully lower base assembly over **Cabinet (K)**.



Step 4

Using **Hex Wrench (B)**, attach the base assembly to the bottom of **Cabinet (K)** with **Screw (F)**. Use **Hex Wrench (A)** for **Screw (E)**.

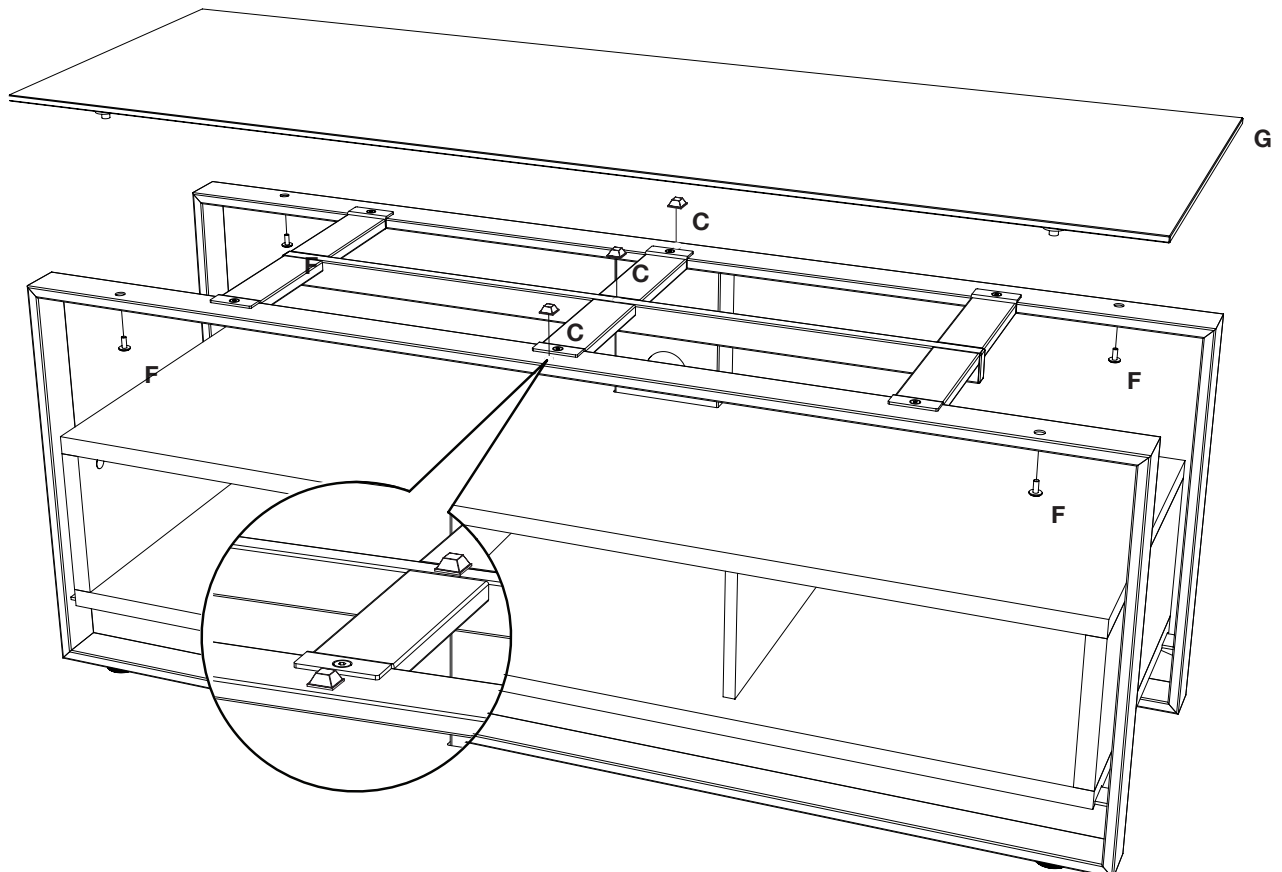
*Note: Front and rear frames have adjustable levels.



Step 5

Install Glass

Place assembled cabinet right-side up and install **Rubber Bumper (C)**. Install **Glass Top (G)** on assembled cabinet. Attach glass with **Screw (F)**.



Step 6

Install Back Panels

Install both **Back Panel (M)** to the backside of the cabinet by inserting top edge in upper channel, then tipping bottom edge forward and into lower channel.

NOTE: Velcro straps are included as wire management for your convenience.

