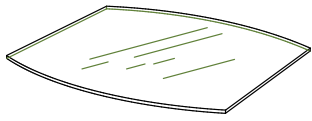


### Component List



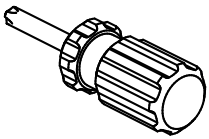
**A - Glass Shelf x 2**



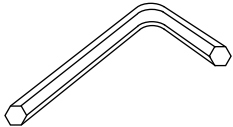
**B - Shelf Pin x 8**  
Pre-installed



**C - Retention Clip x 8**  
Pre-installed



**D - Phillips Screwdriver**  
x 1



**E - Allen Wrench x 1**



**F - Grommet x 1**

Your Revo Home Theater Furniture is engineered for easy assembly. Carefully follow this procedure to prevent any damage.

### Placement and Maintenance

Revo Home Theater Furniture is designed for indoor use on level floors. Clean glass with glass cleaner, and steel parts and wood veneer with a moist cloth.

### Step 1

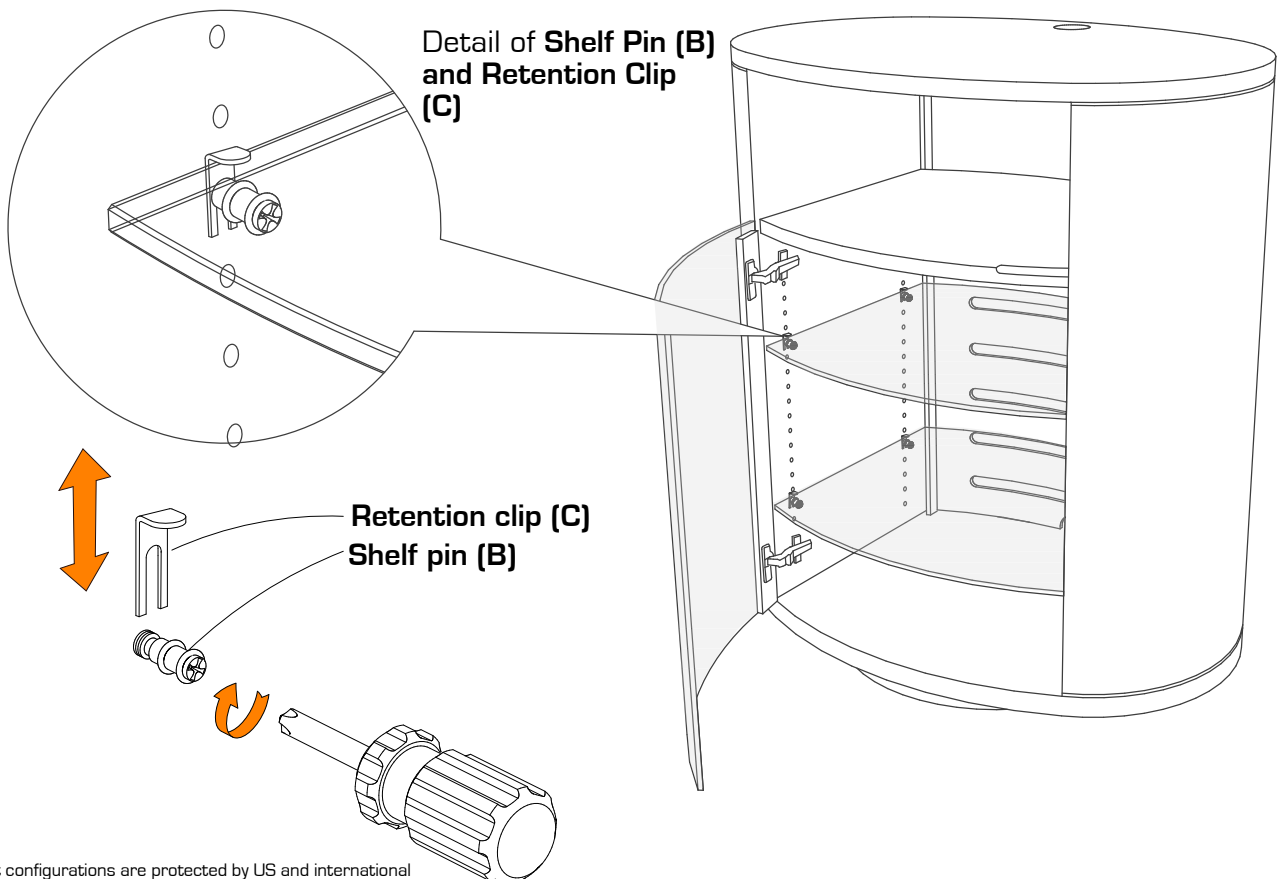
Unpack and identify the parts listed above. The assembly workspace should be a non-marring surface such as carpet. For missing hardware pieces, please contact BDI Customer Service at customerservice@bdiusa.com. For all other concerns, please contact your BDI Retailer.

### Step 2

Confirm that **Shelf Pins (B)** are pre-installed.

In order to adjust height, one must remove the glass retention clip (secured by the shelf pin) that holds the glass shelves in place.

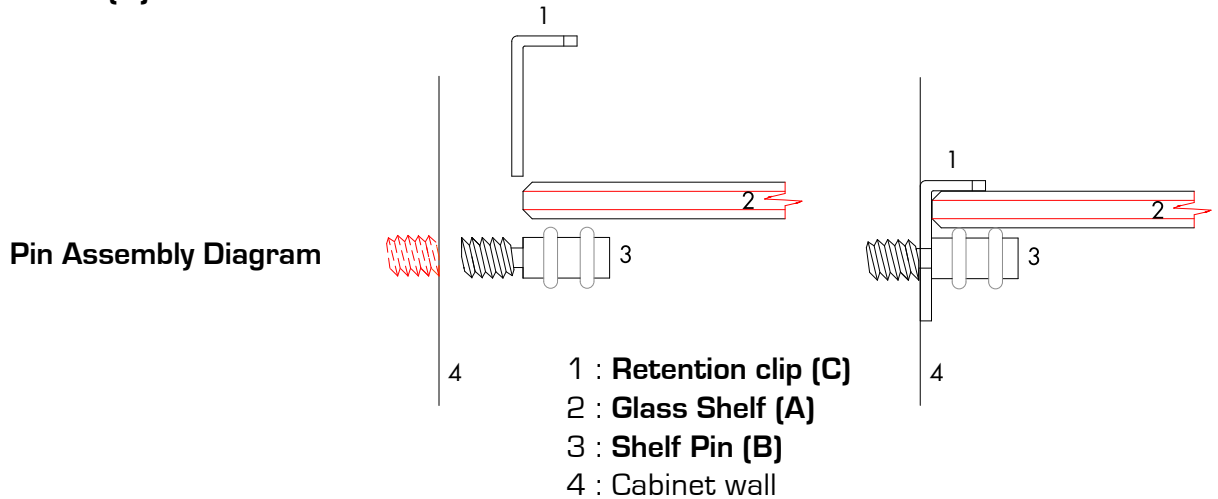
1. Loosen the 4 **Shelf Pins (B)** 1 turn with **Phillips Screwdriver (D)**.
2. Remove **Retention Clips (C)** [ x 4 ]
3. Unscrew **Shelf Pins (B)** completely.
4. Reposition the **Shelf Pins (B)** at desired height



## Step 2 (continued) Secure Glass Shelves

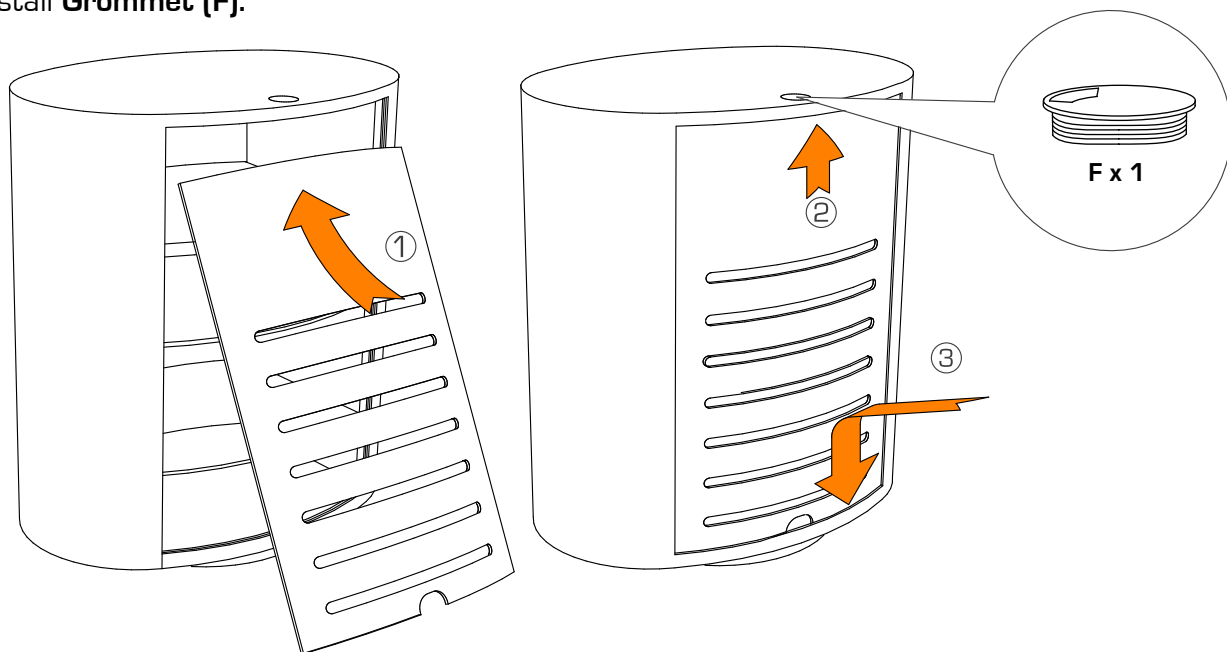
To secure the shelves on your Revo unit, it is necessary to use the **Retention Clip (C)**, which is secured by the **Shelf Pin (B)**.

5. Install **Glass Shelves (A x 2)**
6. Install **Retention Clips (C)** as shown in "Pin Assembly Diagram"
7. Secure by tightening the **Shelf Pin (B)** with **Phillips Screwdriver (D)**.



## Step 5 Install Back Panel and Grommet

The back panel comes pre-installed. Follow illustrations below for installation and removal. **NOTE: Mouse hole is on bottom edge of back panel.** It aligns with pre-installed Velcro strap for wire management. Install **Grommet (F)**.



## Step 6 Adjust Door Hinges (if needed)

If the cabinet's doors appear out of alignment, this condition can be corrected with minor adjustment to the European hinges on each door.

Because these hinges are infinitely adjustable, adjusting one hinge element can sometimes cause the need for adjustments to other elements. But with a few adjustments, you can modify the orientation of the cabinet doors to make sure that they hang perfectly within your cabinet.

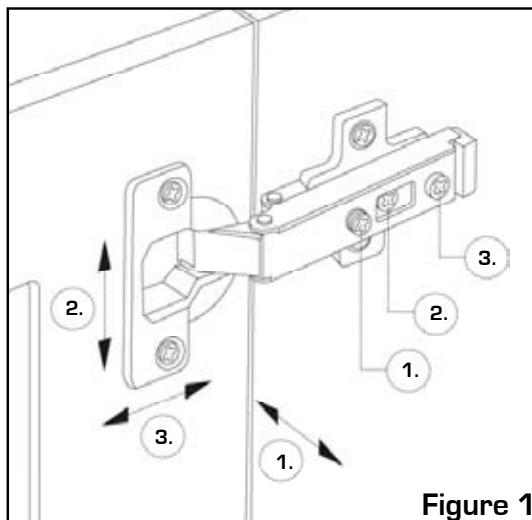


Figure 1

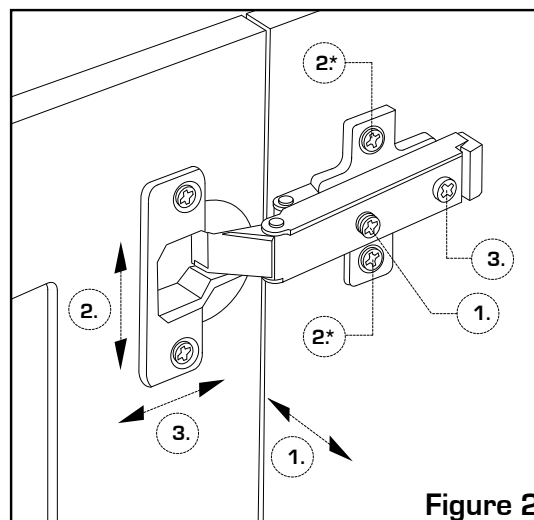


Figure 2

Use a Phillips screwdriver to adjust Revo's door hinges:

- By adjusting **Screw 1**, the door will move LEFT or RIGHT within the frame. Make minor adjustments at both top and bottom hinges for best results.
- By adjusting **Screw(s) 2**, the door will move UP or DOWN within the frame (the top and bottom hinges must be adjusted the same degree).

**NOTE:** If your hinges have a Slotted Mounting Plate (as shown in Figure 2): Loosen **Screws 2** one complete turn, raise or lower door, then hold in position while tightening **Screws 2** (on both hinges).

- By adjusting **Screw 3** the entire door will move IN or OUT, opening or closing the gap between the door frame and cabinet. (This screw rarely needs adjustment.)