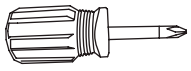
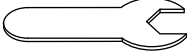


Component List



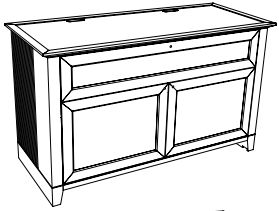
A - Phillips Screwdriver x 1



B - Leveler Wrench x 1



C - 4mm Hex Driver x 1



D - Assembled Cabinet x 1



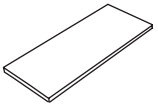
E - Top Glass x 1



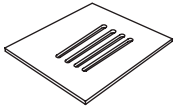
F - M4 x 25mm Pull Screws
x 3



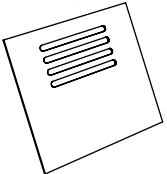
G - Pull x 3



H - Adjustable Media Shelf x 1



I - Adjustable Component Shelf
x 1



J - Back Panel x 1

Your Novia® Home Theater Furniture is engineered for easy assembly. Carefully follow this procedure to prevent any damage.

Placement and Maintenance

Novia® Home Theater Furniture is designed for indoor use on level floors. Clean glass with glass cleaner, and steel parts and wood veneer with a moist cloth.

Step 1

Unpack and Identify

Unpack and identify the components at left. Note that some components are shipped inside the cabinet. The assembly workspace should be a non-marring surface such as carpet. For missing hardware pieces, please contact BDI Customer Service at customerservice@bdiusa.com. For all other concerns, please contact your BDI Retailer.

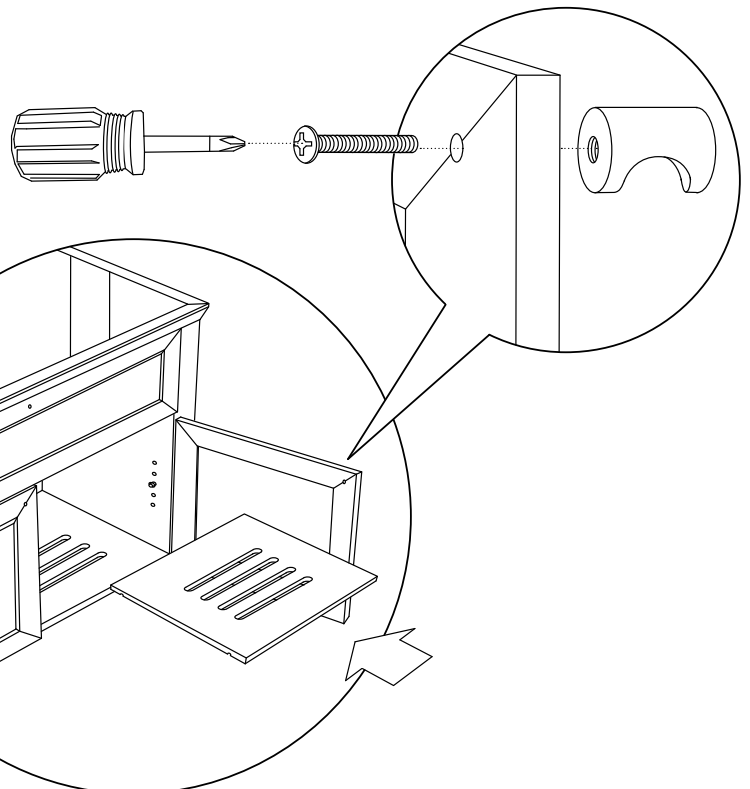
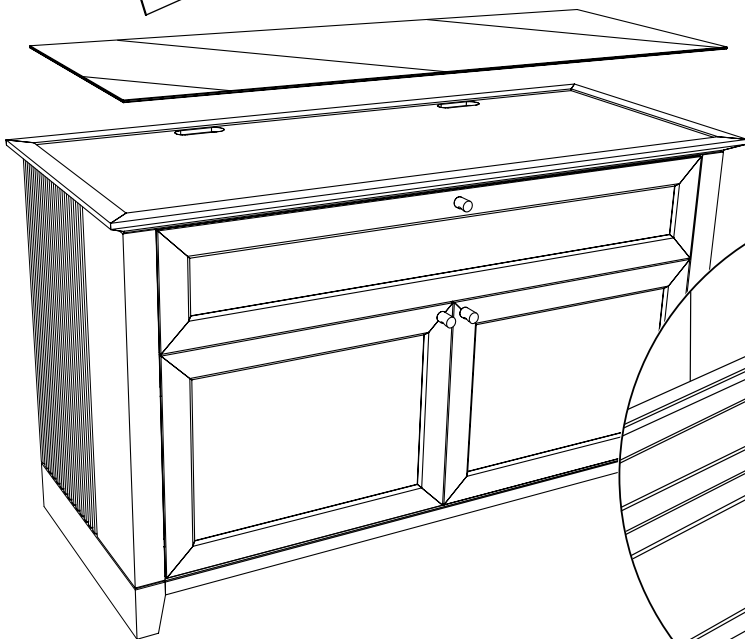
Step 2

Install Pulls and Top Glass

Carefully turn **Assembled Cabinet (D)** over and install **Top Glass (E)** on top.

Install three (3) **Pulls (G)** to the front side of the doors using **M4 x 25 mm Pull Screws (F)** and **Phillips Screwdriver (A)**.

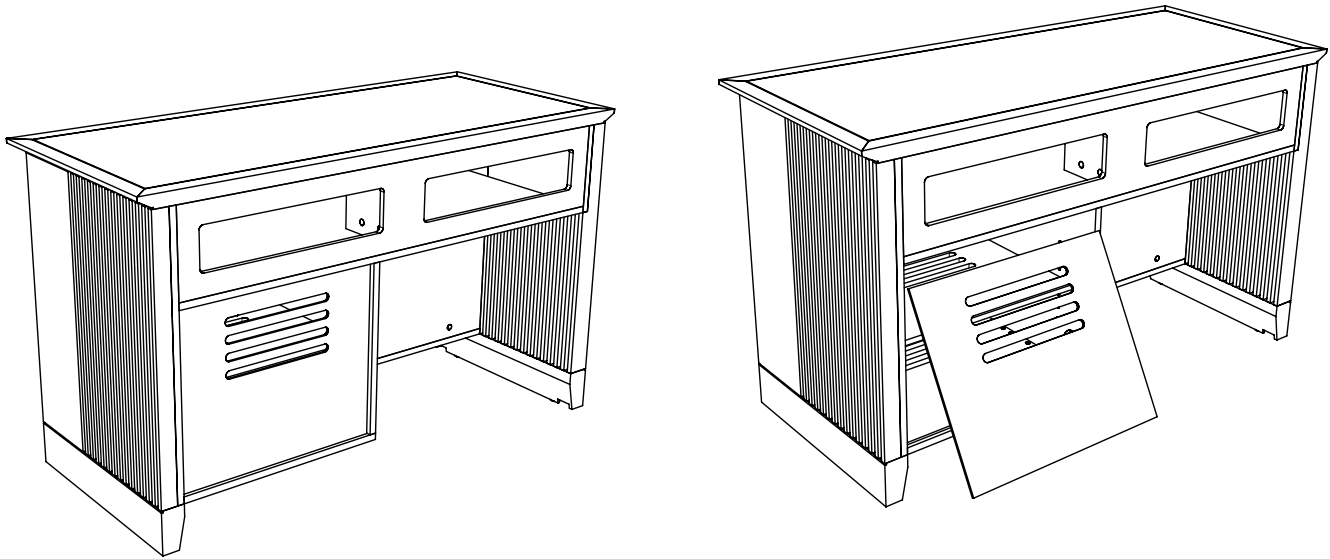
The shelf pins located inside the left and right cabinet space may be repositioned, allowing you to raise or lower the shelf to the desired level. Install **Adjustable Media Shelf (H)** and **Adjustable Component Shelf (I)** inside the left and right cabinet area, respectively. **NOTE:** To place the adjustable shelf inside the cabinet, the shelf must be tilted sideways to clear the door.



Step 3

Install Back Panel

Install **Back Panel (J)** to the backside of the cabinet. NOTE: Velcro straps are included as wire management for your convenience.



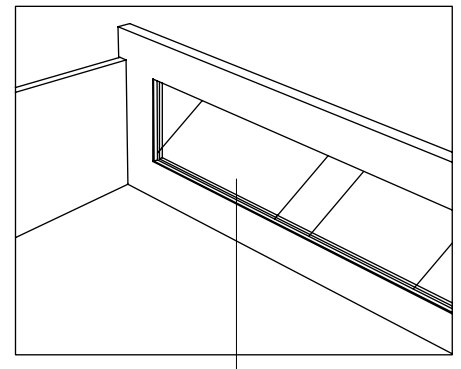
Step 4

Optional fabric speaker or glass insert panel

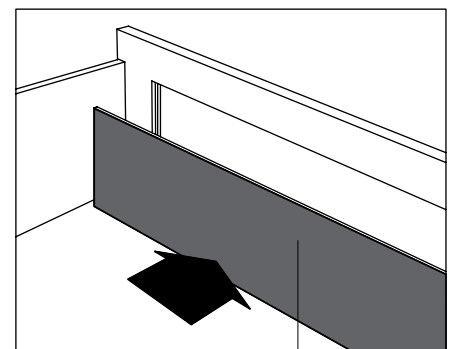
Novia's flip-down front door features a removable/replaceable panel inserts to permit customization of your cabinet's appearance and utility. (Contact BDI Customer Service at customerservice@bdiusa.com)

Installing optional panel inserts is quick and easy:

1. From the inside of the door, and starting at one corner of the pre-installed Glass or Speaker panel insert, carefully pull away all four sections of the panel retention trim, running along the perimeter of the insert. (Use a blunt, tapered object or your finger to start removing the rubber material.)
2. Once the trim material is completely pulled away, remove the pre-installed panel insert and replace it with the desired panel insert.
3. Re-install the trim, pressing it carefully back into the groove around the new panel insert, section by section, to complete the panel insert installation.



a. Remove rubber trim and glass panel.



b. Replace insert panel

Thank you for choosing BDI.

Your BDI home theater cabinet is engineered to include a range of adjustments. Please read and retain this guide so that you can fully enjoy the look and use of your cabinet for years to come.

Unless manual leveling is required or you wish to prevent the cabinet from rolling, you may prefer to keep the cabinet's levelers up and off the floor. This allows easier cabinet movement for greater access to rear panels and wire-management, and permits easier cleaning/vacuuming underneath the cabinet.

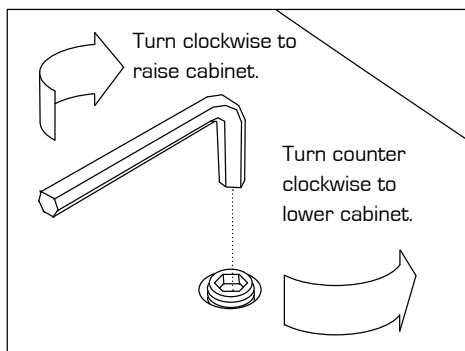
Fine tuning your BDI Home Theater Furniture

After unpacking and assembling your cabinet, inspect it to be sure that it is sitting level on the floor, that all doors appear level, and that they open and close freely without rubbing or binding.

Due to uneven floors or perhaps gentle jostling during shipment, your BDI cabinet may not appear to be in perfect alignment when first assembled or when loaded with heavier electronic equipment. Such alignment issues are usually minimized or eliminated with only a few minor adjustments.

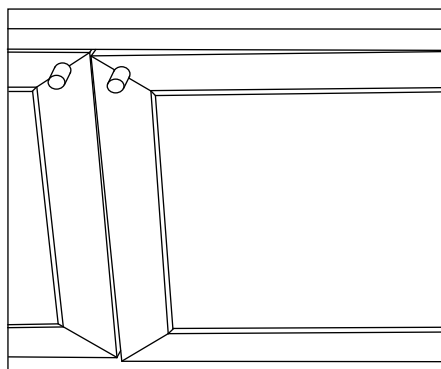
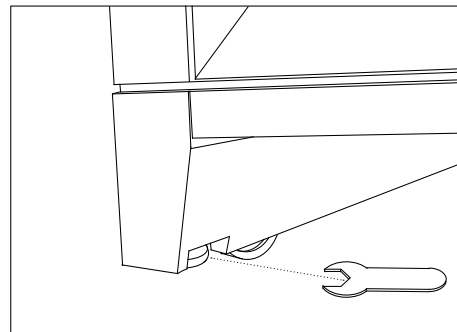
STEP 1 - Level the cabinet (if needed)

Levelers are integrated into each leg assembly and are accessed from outside the cabinet. If your floor is uneven, you may extend one or more levelers (with the provided **Leveler Wrench (B)**) to attain a level, stable cabinet placement.

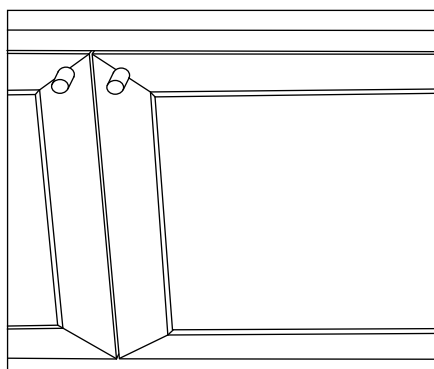


Turning the leveler clockwise will extend the leveler; turning it counter-clockwise will retract it.

The center leg leveler is accessible from inside the cabinet—at the bottom panel, inside the right compartment—and is adjustable using the provided **4mm Hex Driver (C)**.



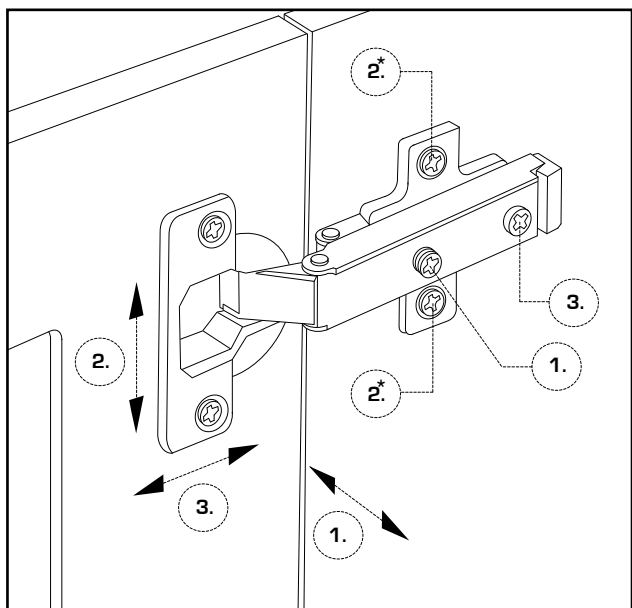
INCORRECT! Door is out of alignment with the rest of the unit.



CORRECT! Door is sitting squarely and evenly spaced on tops and sides.

STEP 2 - Adjust Door Hinges (if needed)

The doors on your cabinet should be evenly spaced and the doors should open and close freely without rubbing against the door frame.



If the cabinet's doors appear out of alignment, this condition can be corrected with minor adjustment to the European hinges on each door.

Because these hinges are infinitely adjustable, adjusting one hinge element can sometimes cause the need for adjustments to other elements. But with a few adjustments, you can modify the orientation of the cabinet doors to make sure that they hang perfectly within your cabinet.

Use a Phillips screwdriver to adjust the door hinges:

- By adjusting **Screw 1**, the door will move LEFT or RIGHT within the frame. Make minor adjustments at both top and bottom hinges for best results.
- By adjusting **Screw(s) 2**, the door will move UP or DOWN within the frame (the top and bottom hinges must be adjusted the same amount).
- By adjusting **Screw 3** the entire door will move IN or OUT, opening or closing the gap between the door frame and cabinet (this screw rarely needs adjustment).