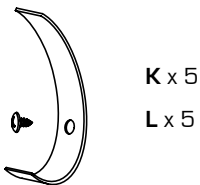
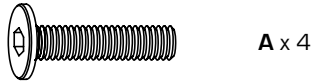
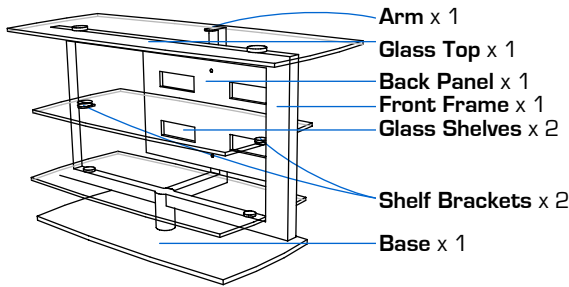


Component List



Your Icon[®] Home Theater Furniture is engineered for easy assembly. Carefully follow this procedure to prevent any damage.

Placement and Maintenance

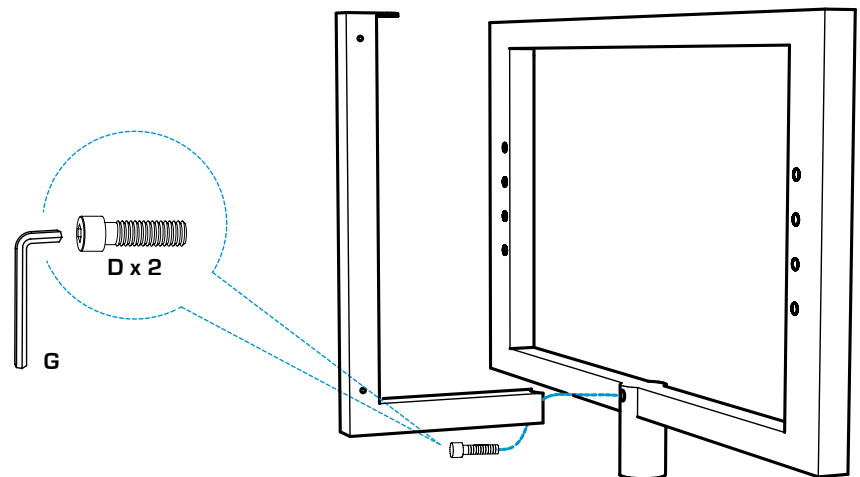
Icon[®] Home Theater Furniture is designed for indoor use on level floors. Clean glass with glass cleaner, and steel parts and wood veneer with a moist cloth.

Step 1 Unpack and Identify

Unpack and identify the components at left. Note that some components are shipped inside the cabinet. The assembly workspace should be a non-marring surface such as carpet. For missing hardware pieces, please contact BDI Customer Service at customerservice@bdiusa.com. For all other concerns, please contact your BDI Retailer.

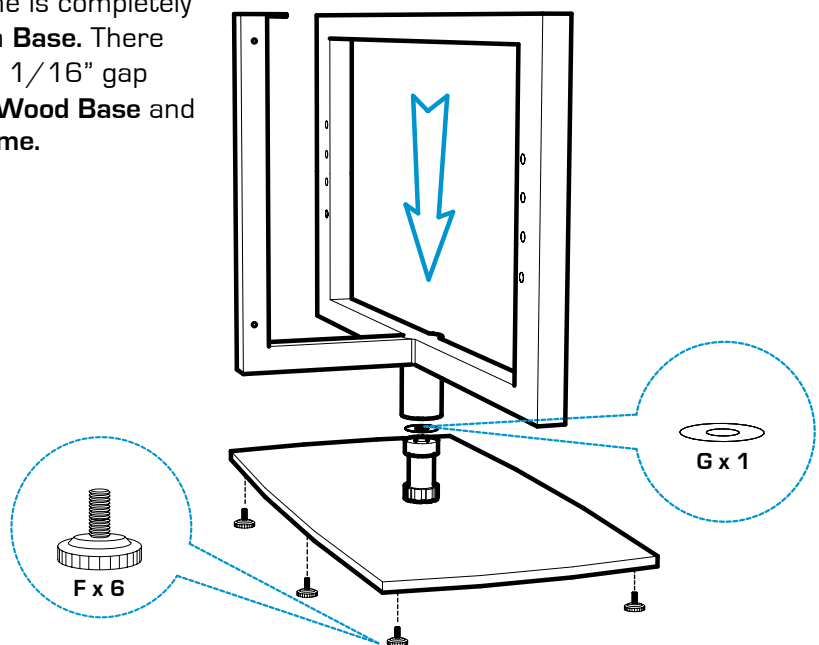
Step 2 Install Arms

Bracket mounting holes should face inward.



Step 3 Install Levelers and Frame to Base

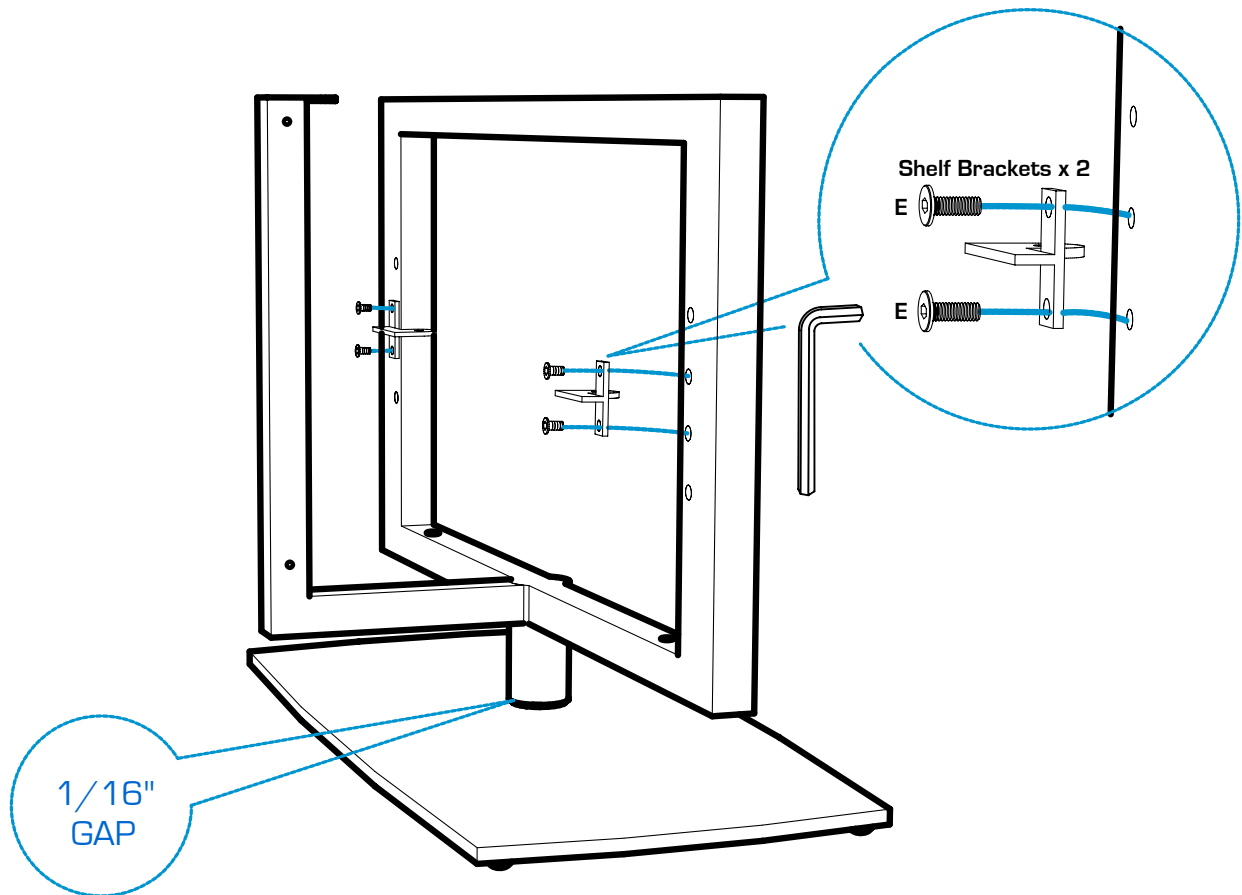
Install **Levelers (F)** to bottom of **Base**. Adjust **Levelers (F)** so **Base** is level and stable. Place **Washer (G)** onto **Base**. Use twisting motion and make sure frame is completely seated on **Base**. There should be 1/16" gap between **Wood Base** and **Steel Frame**.



Step 4

Install the Shelf Brackets

Shelf Brackets can be adjusted to offer three different shelf positions.

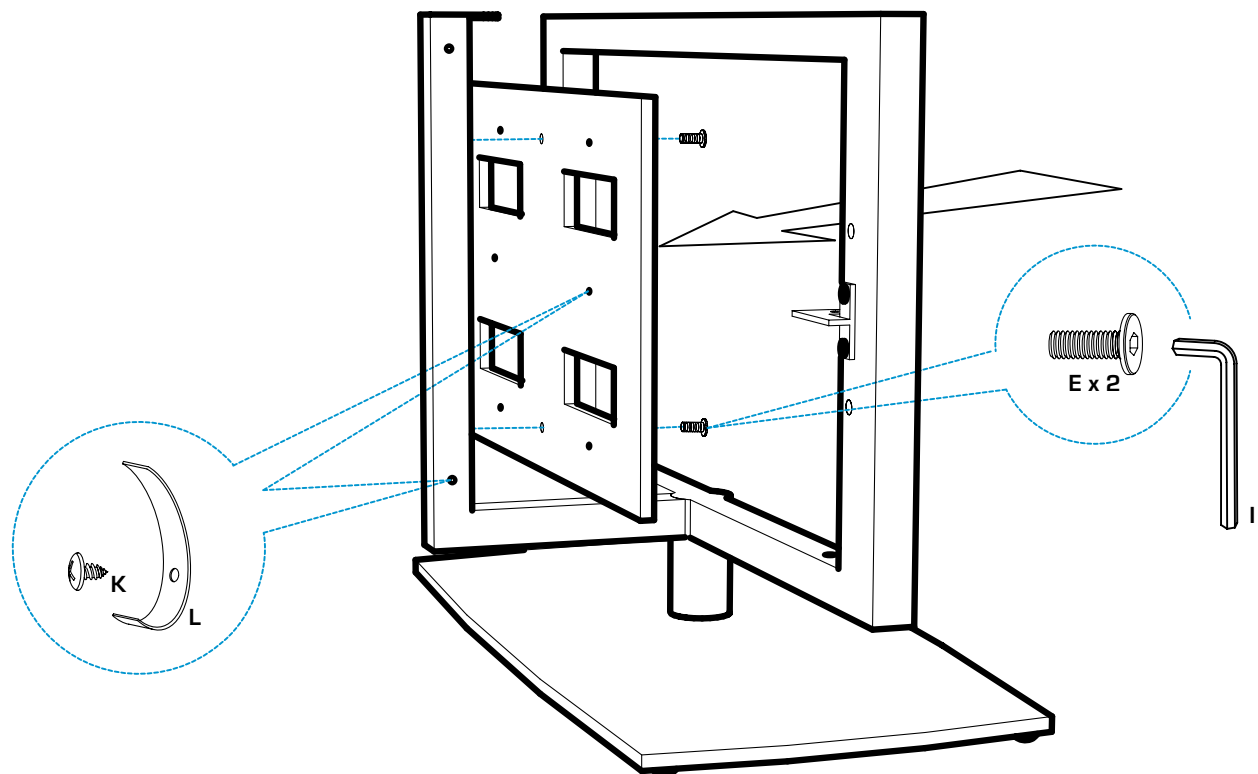


Step 5

Install Back Panel and Wire Managements Straps

Back Panel is to be installed with small holes facing backward.

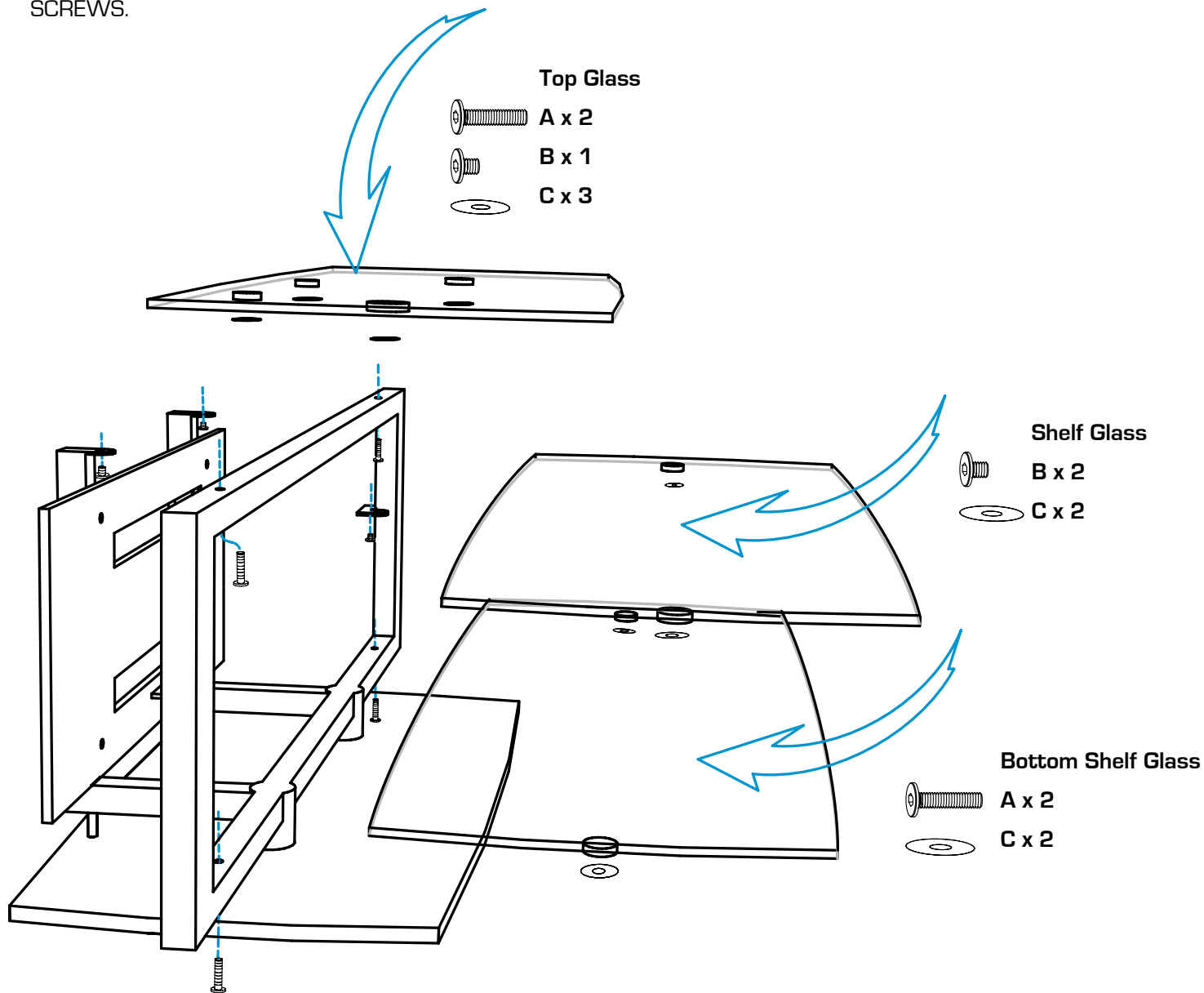
Velcro straps are supplied to control cables. They can be screwed into the steel at top and bottom of the arm or into the small holes on the Back Panel.



Step 6 Install Glass Shelves

Use appropriate hardware. Apply **Felt Washers** to the stainless pucks prior to glass installation.

PLEASE READ: Leave glass screws loose until all screws have been installed. Then tighten securely. It may be necessary to loosen **Shelf Brackets** to obtain proper fit. Once **Glass Shelves** and **Top Glass** are fitted, **PLEASE BE CERTAIN TO GO BACK AND TIGHTEN ALL SCREWS.**





Icon Model 9423 are engineered specifically for **Flat Panel Plasma and LCD TVs**. This model should not be used with **Rear Projection or Traditional CRT (tube) TVs**. Consult BDI's website (www.bdiusa.com) or sales brochure for recommended TV sizes.

