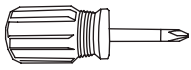
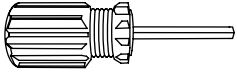




Component List



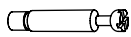
A - Phillips Screwdriver
x 1



B - 4mm Hex Driver
x 1



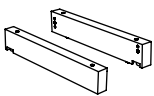
C - Dowel Pin x 10



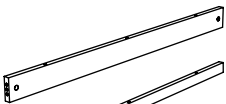
D - Cam Bolt x 4



E - Cam Fastener x 4



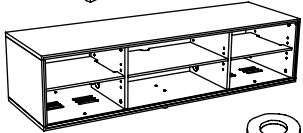
F - Leg Assembly
x 2



G - Rear Rail x 1



H - Front Rail x 1



I - Assembled Cabinet
x 1



J - Washer x 8



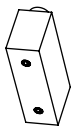
K - 1/4-20 x 2"
Machine Screw
x 4



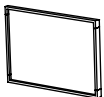
L - 1/4-20 x 3 1/2"
Machine Screw
x 4



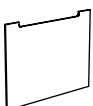
M - 1/4-20 x 1 1/4"
Machine Screw
x 2



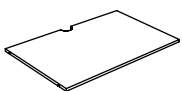
N - Center Leg x 1



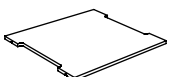
O - Sliding Door x 2



P - Back Panel x 2



Q - Adjustable
Center Shelf
x 1



R - Adjustable Shelf
x 2

Cirrus is engineered for easy assembly. Carefully follow this procedure to prevent any damage.

Placement and Maintenance

Cirrus is designed for indoor use on level floors. Clean glass with glass cleaner, and steel parts and wood veneer with a moist cloth.

Step 1

Unpack and Identify

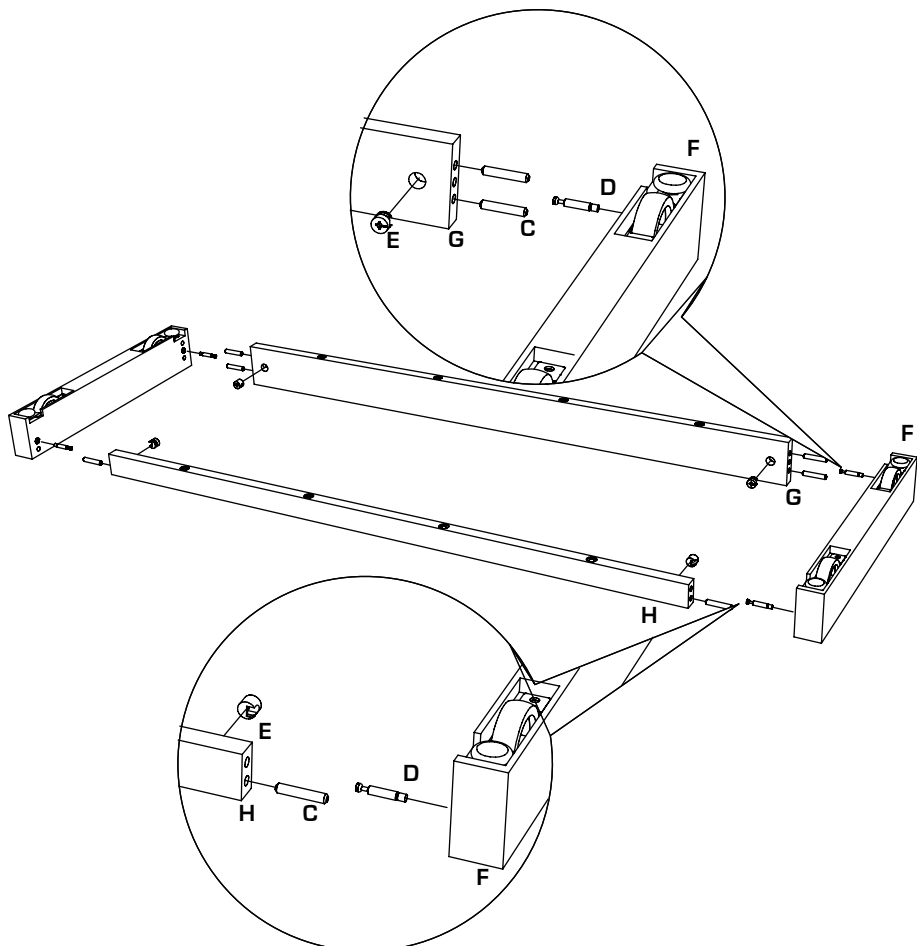
Unpack and identify the components at left. Note that some components are shipped inside the cabinet. The assembly workspace should be a non-marring surface such as carpet. For missing hardware pieces, please contact BDI Customer Service at customerservice@bdiusa.com. For all other concerns, please contact your BDI Retailer.

Step 2

Build Base Assembly

Install **Cam Bolts (D)** near front and rear edge of each **Leg Assembly (F)** using provided **Phillips Screwdriver (A)**. Next, insert **Dowel Pins (C)** into holes at ends of **Front Rail (H)** and **Rear Rail (G)**. Then join both Rails and Leg Assemblies together, aligning holes for all **Cam Bolts** and **Dowel Pins**.

Once all **Cam Bolts** and **Dowel Pins** are fully inserted to the respective holes, fasten together by inserting **Cam Fastener (E)** and turning about one-half turn clockwise using **Phillips Screwdriver (A)**.



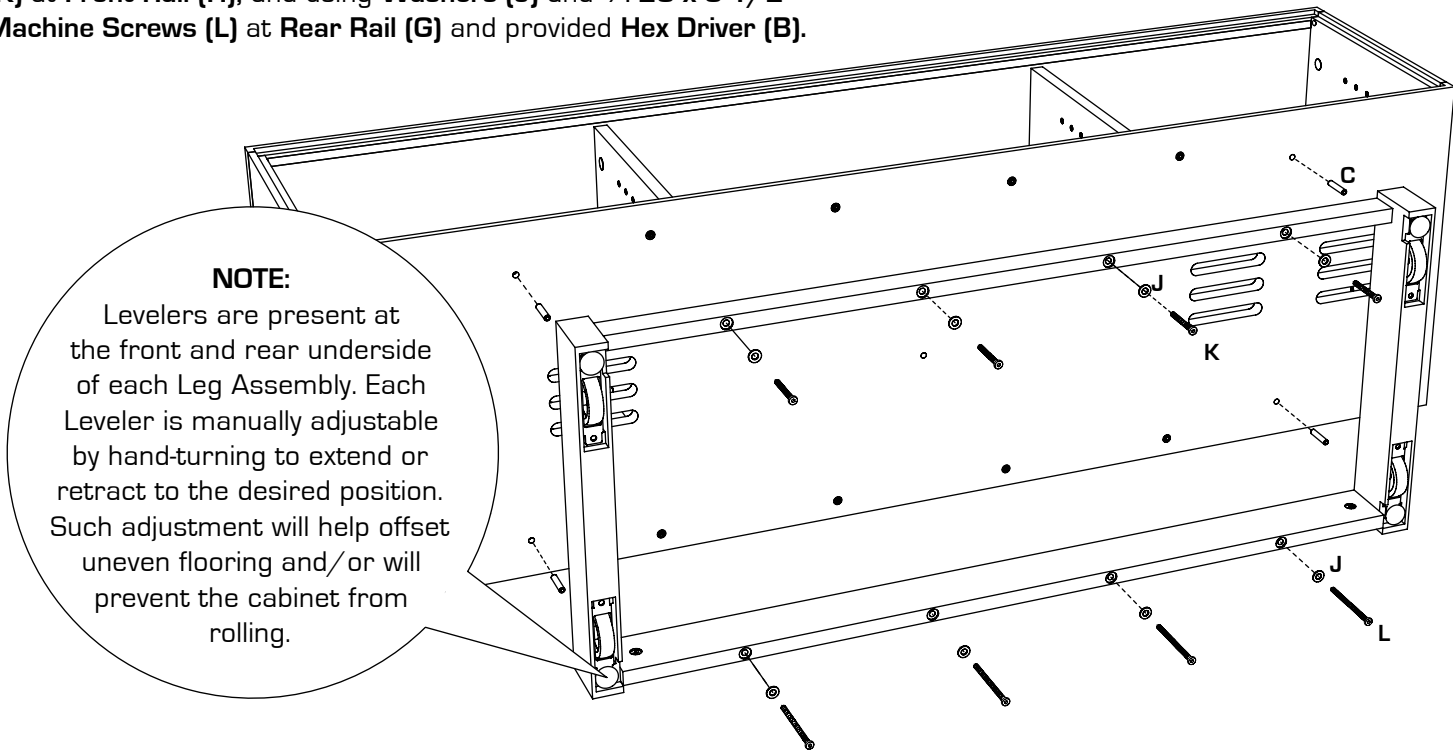
Step 3

Fasten Base Assembly to Assembled Cabinet (I)

After inserting **Dowel Pins (C)** at each of the four corners of the Base Assembly, install Base Assembly to **Assembled Cabinet (I)** with **Front Rail (H)** oriented towards cabinet front (see drawing).

Fasten into place using **Washers (J)** and **1/4-20 x 2" Machine Screws**

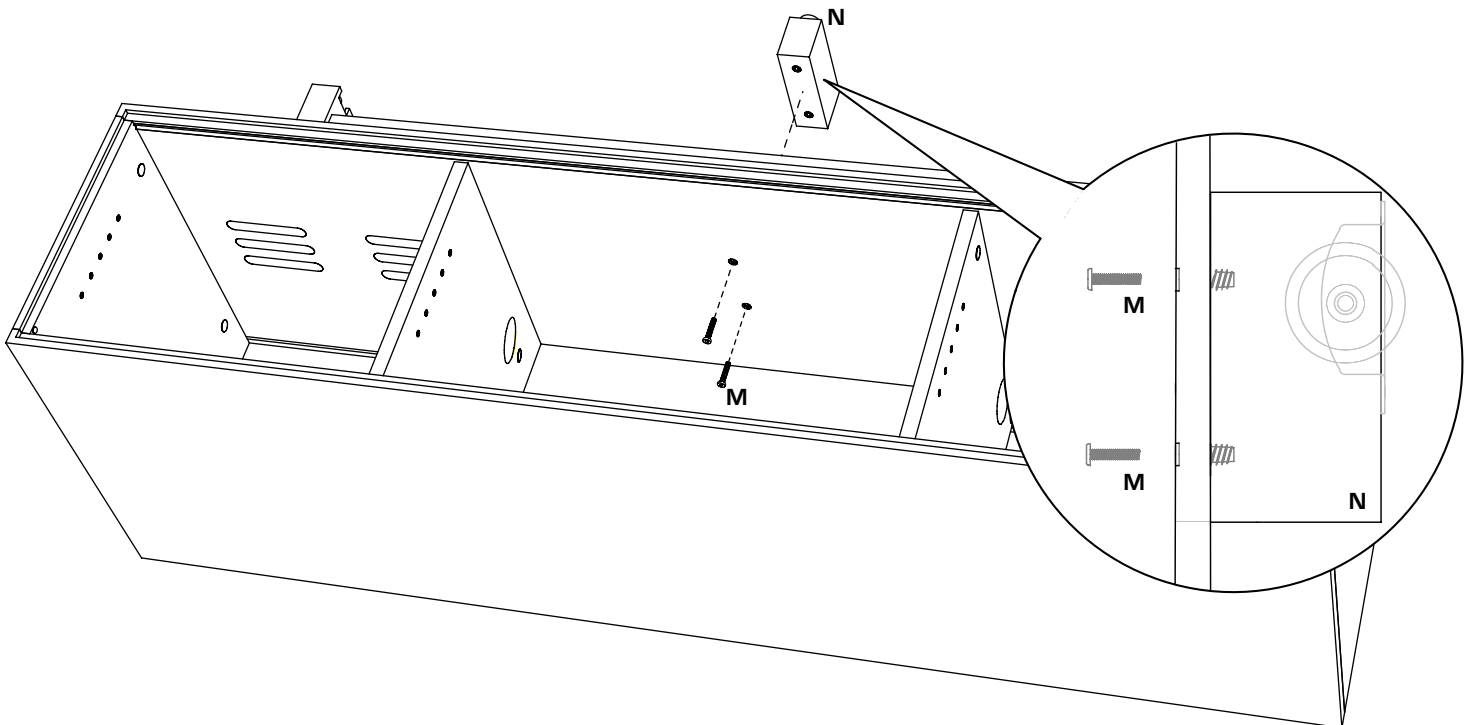
(K) at **Front Rail (H)**, and using **Washers (J)** and **1/4-20 x 3-1/2" Machine Screws (L)** at **Rear Rail (G)** and provided **Hex Driver (B)**.



Step 4

Install Center Leg

Install **Center Leg (N)** to cabinet's bottom panel using **1/4-20 x 1-1/4" Machine Screw (M)** and tighten with provided **Hex Driver (B)**.

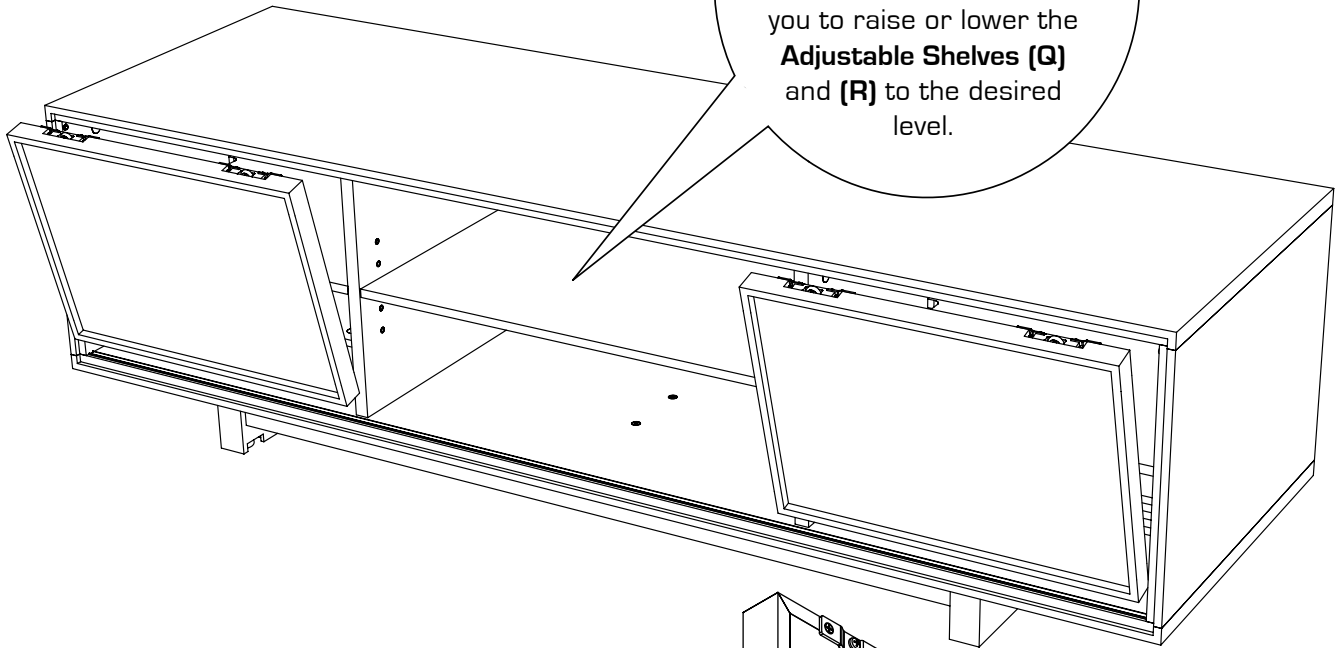


Step 5

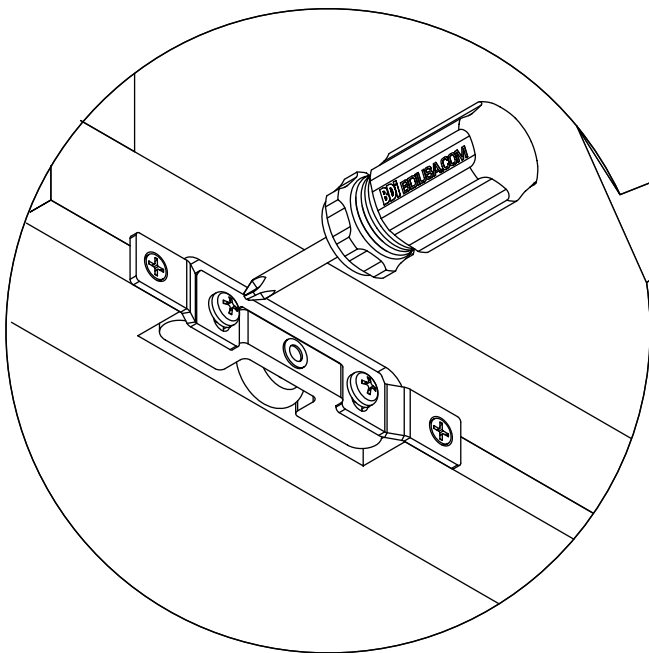
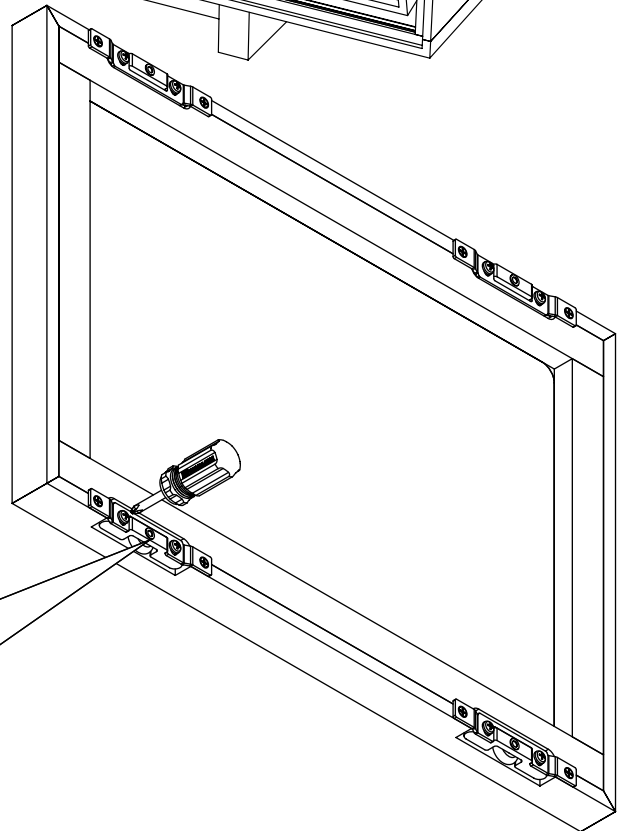
Install Sliding Doors

Position the cabinet right side up and then install **Sliding Doors (O)** by inserting bottom edge (with spring-loaded wheels) into lower track, pushing downward, then tipping top edge forward and into upper track.

Adjustable shelf pins may be repositioned depending on the height of your component, allowing you to raise or lower the **Adjustable Shelves (Q)** and **(R)** to the desired level.



NOTE: Fixed wheel rollers on each door are height-adjustable. Loosen two (2) inner screws using Philips Screwdriver (A), raise or lower wheel cartridge slightly, then re-tighten screws.

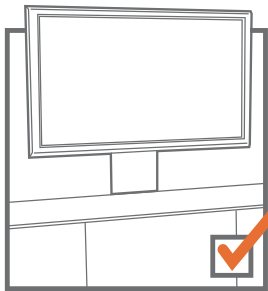
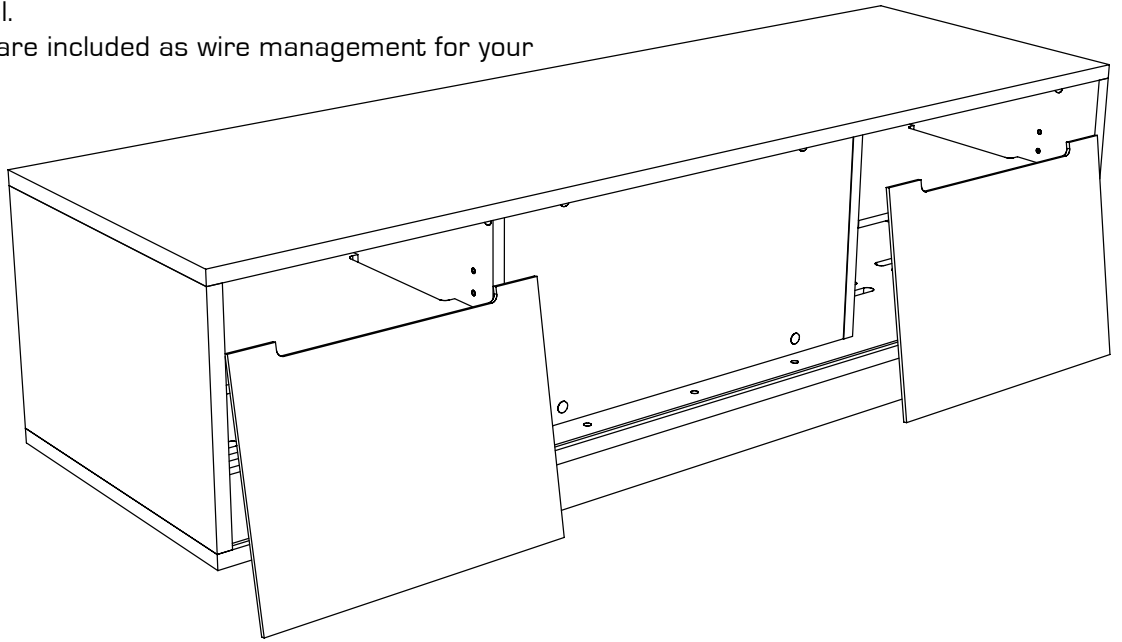


Step 6

Install Back Panel

Install both **Back Panels (P)** to the backside of the cabinet by inserting top edge in upper channel, then tipping bottom edge forward and into lower channel.

*Note: Velcro straps are included as wire management for your convenience.



Optional Flat Panel TV Mount

This BDI cabinet is compatible with **BDI's Flat-Panel TV Mount #9970 (sold separately)**, with the following features:

- attaches easily to the back of the cabinet
- accommodates most TVs up to 60"
- swivel allows for rotating for optimal viewing
- allows adjustable TV mounting height
- accepts and route cables to and from the TV

For more information, visit www.bdiusa.com