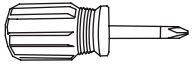
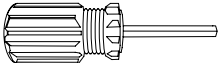


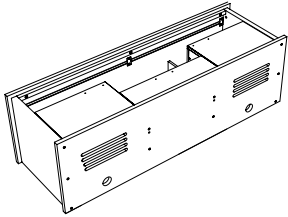
#### Component List



**A** - Phillips Screwdriver  
x 1



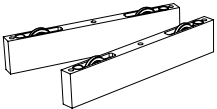
**B** - Hex Driver  
x 1



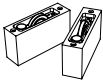
**C** - Assembled Cabinet  
x 1



**D** - 1/4-20 x 4"  
Machine Screw  
x 10



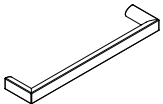
**E** - Side Wood Legs  
x 2



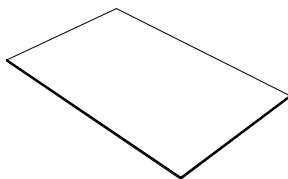
**F** - Inner Wood Legs  
x 2



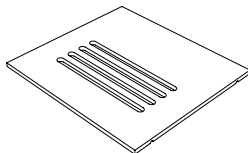
**G** - M4 x 25mm Screw  
x 6



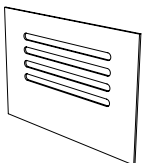
**H** - Pull  
x 3



**I** - Glass Shelf  
x 1



**J** - Adjustable Shelf  
x 2



**K** - Back Panel x 2

Braden is engineered for easy assembly. Carefully follow this procedure to prevent any damage.

#### Placement and Maintenance

Braden is designed for indoor use on level floors. Clean wood veneer with a moist cloth. Clean glass with glass cleaner.

#### Step 1

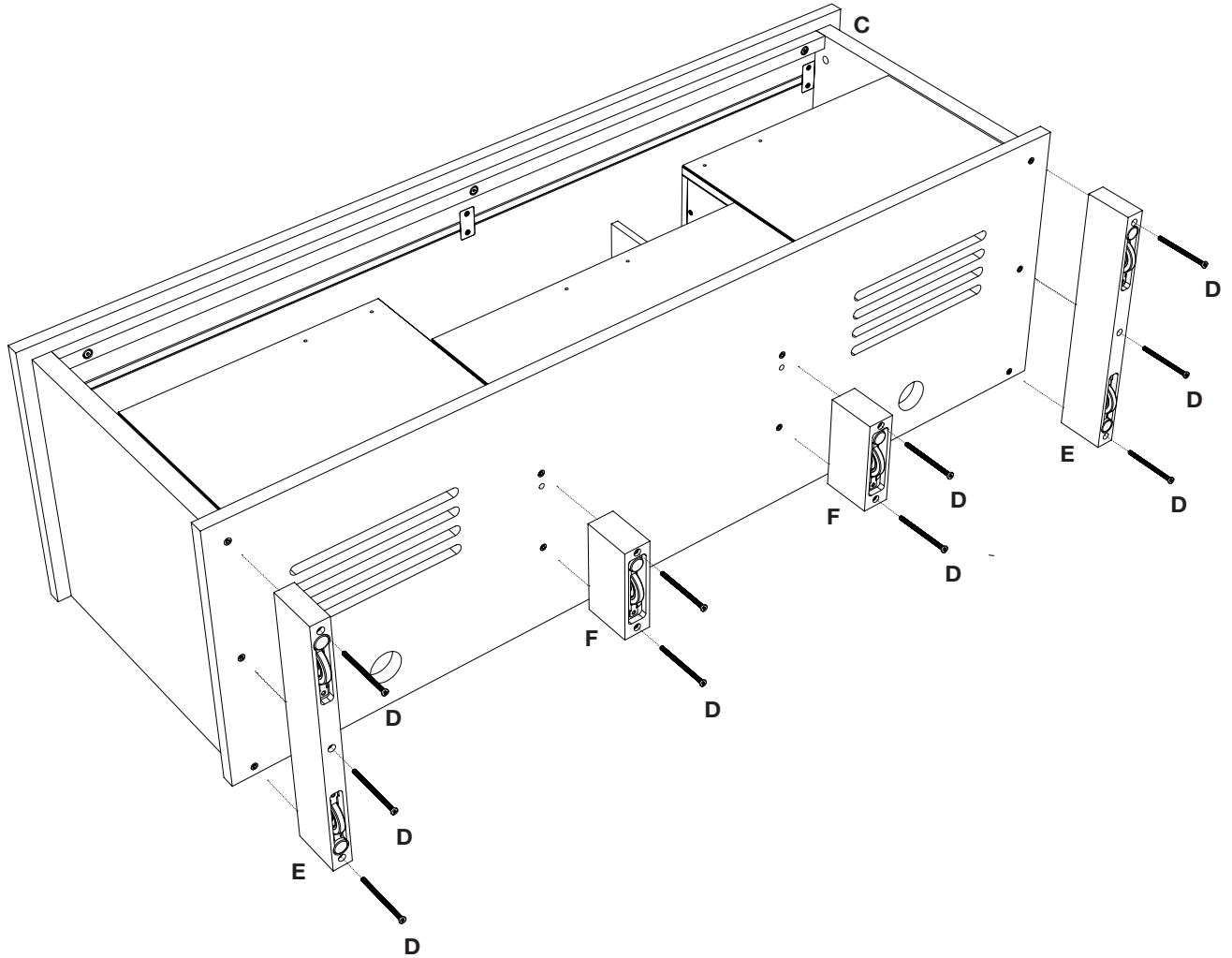
##### Unpack and Identify

Unpack and identify the components at left. Note that some components are shipped inside the cabinet. The assembly workspace should be a non-marring surface such as carpet. For missing hardware pieces, please contact BDI Customer Service at [customerservice@bdiusa.com](mailto:customerservice@bdiusa.com). For all other concerns, please contact your BDI Retailer.

## Step 2

### Install Legs

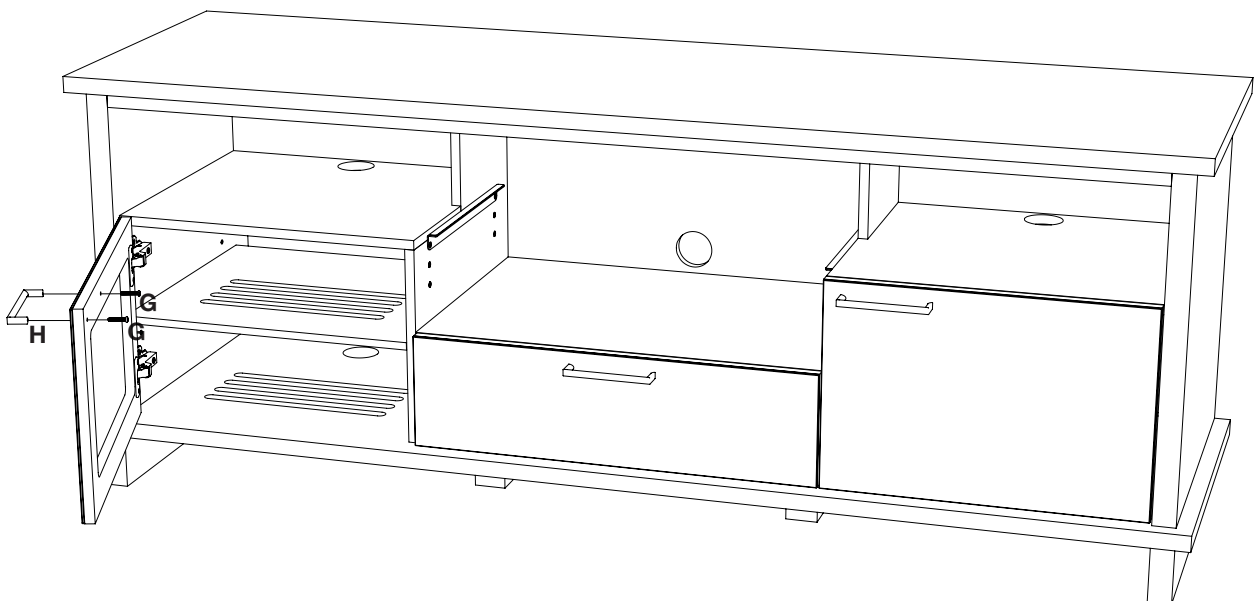
Carefully lay **Assembled Cabinet (C)** on its back. Using **Hex Driver (B)**, attach the **Side Wood Legs (E)** and **Inner Wood Legs (F)** to the bottom of the **Assembled Cabinet (C)** with **1/4"-20 x 4" Machine Screws (D)**.



## Step 3

### Install Pulls

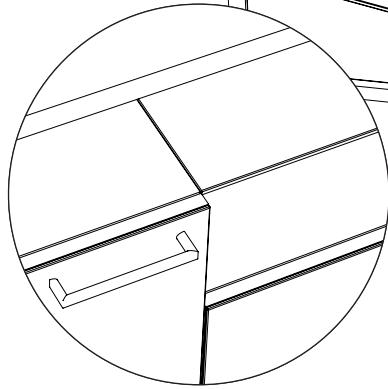
Position the cabinet upright and install door **Pulls (H)** using the **M4 x 25mm Screws (G)** and the **Phillips Screwdriver (A)** supplied.



#### Step 4

##### Install Glass Shelf (I)

Install **Glass Shelf (I)** so that the front edge of the shelf is flush with the cabinet.

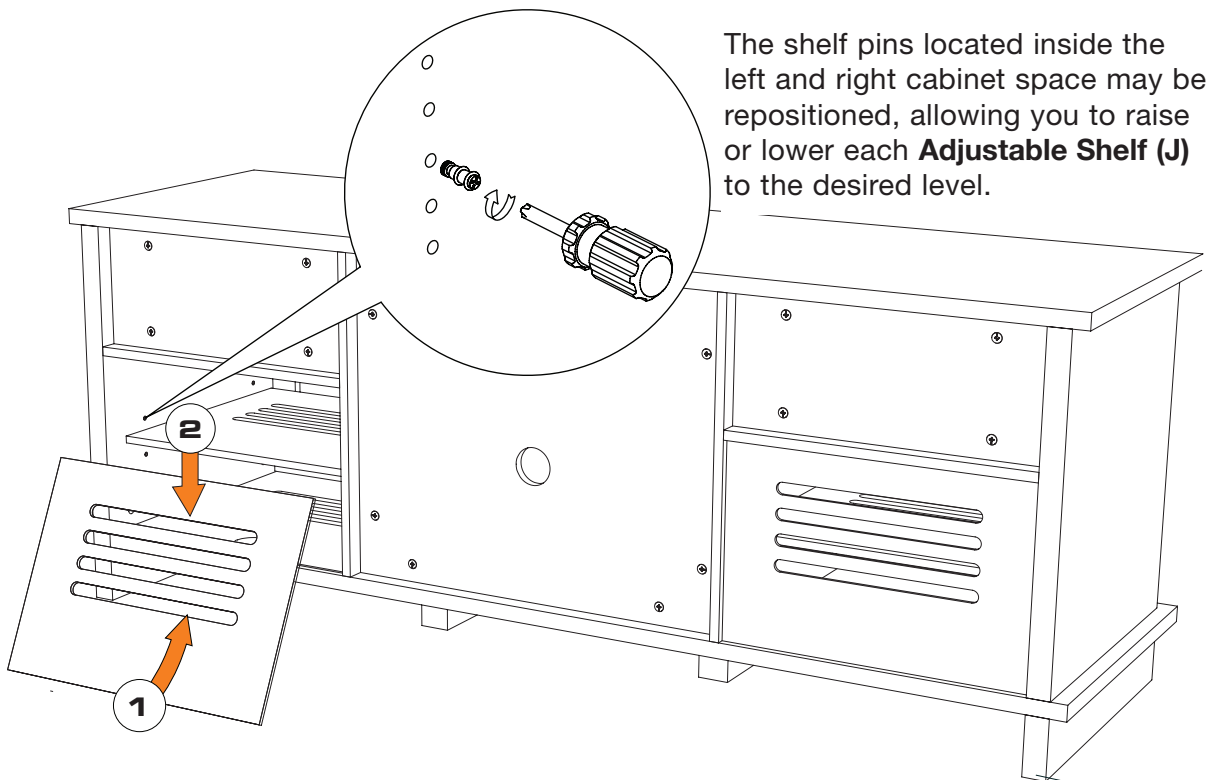


#### Step 5

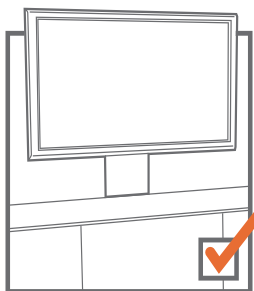
##### Install Back Panels

Install both **Back Panels (K)** to the backside of the cabinet by inserting top edge in upper channel, then tipping bottom edge forward and into lower channel.

**NOTE:** Velcro straps are included as wire management for your convenience.



#### Optional Flat Panel TV Mount



This BDI cabinet is compatible with **BDI's Arena Flat-Panel TV Mount #9972** (sold separately), with the following features:

- accommodates most TVs up to 65", 175 lbs
- swivel allows rotating for optimal viewing
- allows adjustable TV mounting height
- accepts and routes cables to and from the TV

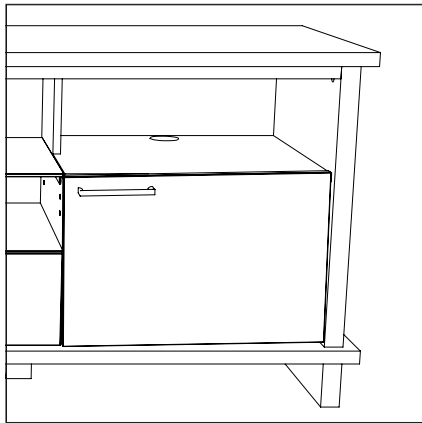
For more information, visit [www.bdiusa.com](http://www.bdiusa.com)

## Fine tuning your new BDI Braden Home Theater Furniture

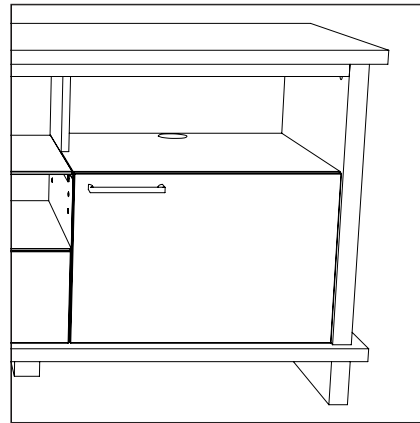
These steps are to be followed after you have unpacked and completed the simple assembly instructions for your Braden AV stand. Due to jostling in freight or perhaps an uneven floor, the doors on your Braden stand may not appear to be in perfect alignment. Making a few minor adjustments can rectify this situation. Be aware that depending on your situation, patience and a bit of trial and error are required. The high-quality European hinge hardware is infinitely adjustable, but changing one element can cause the need for further adjustments. Through a little adjustment, you can modify the orientation of the cabinet doors to make sure that they are sitting perfectly on your Braden unit.

### STEP 1 - Level your Braden unit

Levelers are integrated into each leg assembly and are accessed at the bottom of each cabinet leg and are hand-adjustable. If your floor is uneven, you may extend one or more levelers to attain a level, stable cabinet placement. Turning the leveler clockwise will extend the leveler; turning it counter-clockwise will retract it.



**INCORRECT!** Door is out of alignment with the rest of the unit.



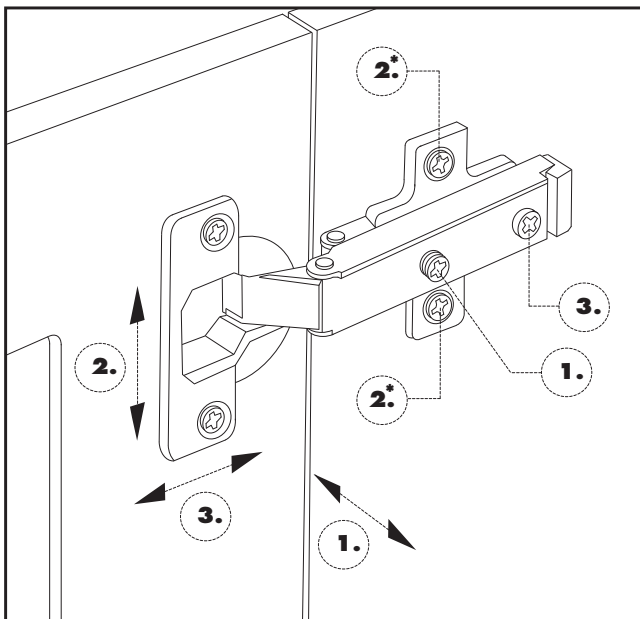
**CORRECT!** Door is sitting squarely and evenly spaced on tops and sides.

### STEP 2 - Adjust Door Hinges (if needed)

The doors on your cabinet should be evenly spaced and the doors should open and close freely without rubbing against the door frame.

If the cabinet's doors appear out of alignment, this condition can be corrected with minor adjustment to the European hinges on each door.

Because these hinges are infinitely adjustable, adjusting one hinge element can sometimes cause the need for adjustments to other elements. But with a few adjustments, you can modify the orientation of the cabinet doors to make sure that they hang perfectly within your cabinet.



Use the **Phillips Screwdriver (A)** supplied to adjust Braden's door hinges:

- By adjusting **Screw 1**, the door will move LEFT or RIGHT within the frame. Make minor adjustments at both top and bottom hinges for best results.
- By adjusting **Screw(s) 2**, the door will move UP or DOWN within the frame (the top and bottom hinges must be adjusted the same degree). **NOTE:** Loosen **Screws 2** one complete turn, raise or lower door, then hold in position while tightening **Screws 2** (on both hinges).
- By adjusting **Screw 3** the entire door will move IN or OUT, opening or closing the gap between the door frame and cabinet. (This screw rarely needs adjustment.)