


New!  
- DALI ZENSOR



A close-up, vertical view of a DALI ZENSOR speaker. The top part shows a tweeter with a silver-colored frame and a dark, circular driver. Below it is a larger, circular woofer with a dark, recessed center. At the bottom, a small white rectangular label with the DALI logo is visible. The speaker is set against a dark background.

Introducing...

# DALI ZENSOR

- Brand new ultra cost efficient entry-level series from DALI
- Built on technology from more expensive series
- Contemporary - but stylish - visual appearance
- Designed and engineered in Denmark
  - 100% in-house manufacturing at the DALI factory in Ningbo



DALI



# DALI ZENSOR

- New entry-level series

DALI ZENSOR is genuine - but affordable – hi-fi in a compact and stylish design.

This is achieved by applying in-house refined technology in our most affordable series.

The DALI ZENSOR series promises Best-in-Class sound...

We are keen on fortifying our position in this important segment...

...and with DALI ZENSOR we will do just that!



# DALI ZENSOR

- Design blends into any interior...

Rounded edges not only pleases the eye, but reduces diffractions.  
- This, in turn, minimizes distortion in the listening experience.

High-grade laminate enclosure for an exclusive look and feel



Solid aluminium complement the front baffle

High-gloss lacquered front baffle

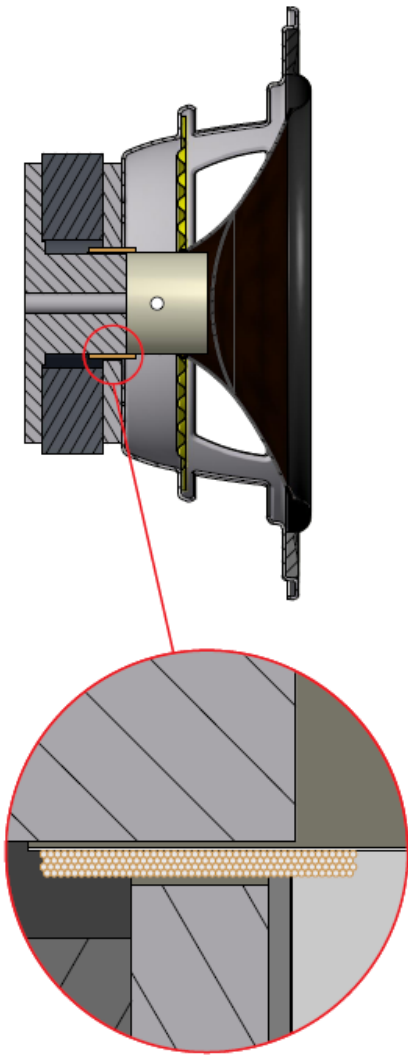
Detachable front grille included for flexibility in appearance

Elegant aluminium base elevates floorstanding models from the ground



# DALI ZENSOR

- Clear heritage from research and development of DALI's high-end series...



*Both the 5¼" and the 7" ZENSOR woofers feature 4-layer voice coils for maximum control of the cone.*

## True DALI woofer

- Developed from scratch
  - No re-use, but comprehensive heritage from existing DALI woofers
- Low-loss construction
  - Meticulously optimized cone, suspension, and rigid metal basket
- Wood fibre cone
  - Core DALI technology, providing structural stiffness combined with low mass
- Vented voice coil former
  - Increased power handling
  - Reduced compression



*The carefully designed waveguide increases sensitivity and reduces distortion in the listening area.*



# DALI ZENSOR

- Clear heritage from research and development of DALI's high-end series...

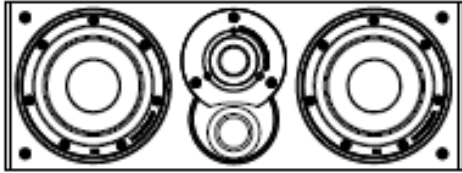
## True DALI tweeter

- Ultra lightweight dome
  - Best-in-class resolution
- Damping material under dome
  - Minimizes reflections from the pole piece
- Tweeter positioned as close as possible to woofer for improved acoustic transition
  - The benefit is improved timing, ensuring a truly coherent performance
- Vented voice coil former
  - Minimizes compression
  - Increases power handling

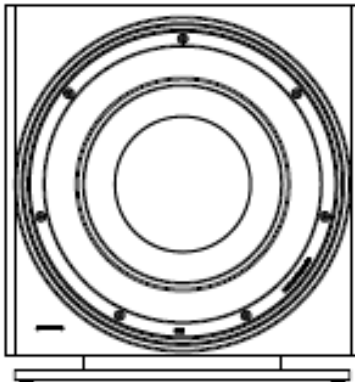


# - The ZENSOR family...

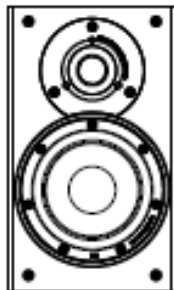
DALI ZENSOR VOKAL



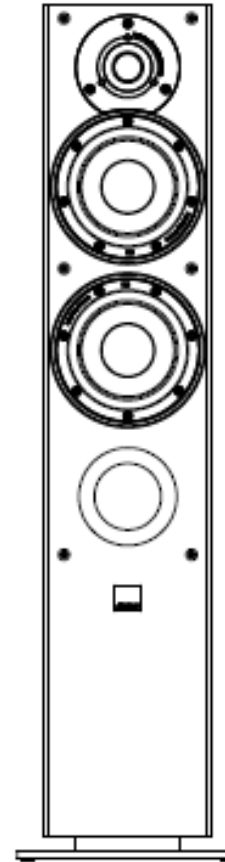
DALI SUB E-12F



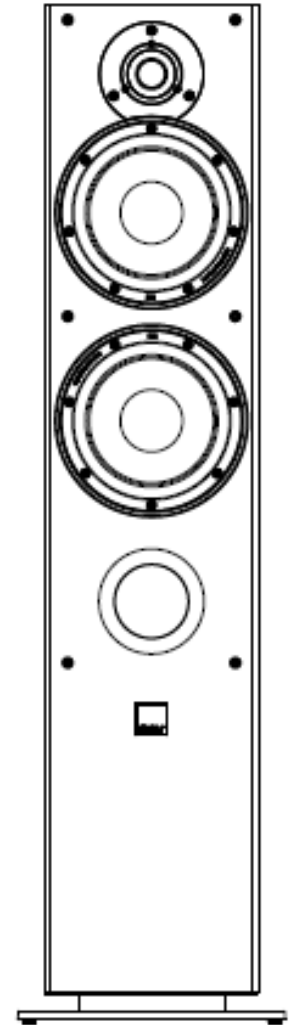
DALI ZENSOR 1



DALI ZENSOR 5



DALI ZENSOR 7



# DALI ZENSOR 7



- 2-way configuration
  - 2 x 7" woofers
  - 1 x 25 mm tweeter
- Front mounted bass reflex port
- Aluminium base
- Dimensions (H x W x D) mm: 978 x 205 x 312
  
- Available in Black Ash and Light Walnut (May 2011)
- Available in White (Autumn 2011)





# DALI ZENSOR 5



- 2-way configuration
  - 2 x 5¼" woofers
  - 1 x 25 mm tweeter
- Front mounted bass reflex port
- Aluminium base
- Dimensions (H x W x D) mm: 825 x 162 x 267
  
- Available in Black Ash and Light Walnut (May 2011)
- Available in White (Autumn 2011)



# DALI ZENSOR 1



- 2-way configuration
  - 1 x 5¼" woofer
  - 1 x 25 mm tweeter
- Rear mounted bass reflex port
- Integrated wall bracket
- Dimensions (H x W x D) mm: 274 x 162 x 220
  
- Available in Black Ash and Light Walnut (May 2011)
- Available in White (Autumn 2011)





# DALI ZENSOR VOKAL

- 2-way configuration
  - 2 x 5¼" woofers
  - 1 x 25 mm tweeter
- Front mounted bass reflex port
- Dimensions (H x W x D) mm: 161 x 441 x 281
  
- Available in Black Ash and Light Walnut (May 2011)
- Available in White (Autumn 2011)



# DALI SUB E-12F



- 170 Watt RMS Class D highly linear amplifier
  - 220 Watt Peak Power
  - Switchmode Power Supply
  - Controls for gain, cut-off frequency, and phase
- 12" long-stroke woofer
  - Pure aluminium cone
  - 4-layer 26.5 mm long voice coil
  - Fully ventilated pole piece
- Down-firing bass reflex port
  - Flared at both ends
- Magnet mounted front grille
- Aluminium base



# DALI SUB E-12F



- Integrated limiter
- LFE as well as LINE input
- Stand-by consumption 0.4 Watt only
- High Gloss Black front baffle
- Dimensions (H x W x D) mm: 339 x 364 x 375
- Available in Black Ash and Light Walnut (May 2011)
- Available in White (Autumn 2011)



# DALI ZENSOR - Specifications

	ZENSOR 1	ZENSOR 5	ZENSOR 7	ZENSOR VOKAL
Frequency Range [+/- 3] dB [Hz]	53 - 26.500	43 - 26.500	40 - 26.500	47 - 26.500
Sensitivity [2.83V/1m] [dB]	86,5	88,0	90,0	88,5
Nominal Impedance [ohms]	6	6	6	6
Maximum SPL [dB]	106	108	110	109
Recommended Amp. Power [Watts]	25 - 100	30 - 150	30 - 150	30 - 120
Crossover Frequencies [Hz]	2.900	2.400	2.400	2.400
Crossover Principle	2-way	2-way	2-way	2-way
High Frequency Driver	25 mm soft dome	25 mm soft dome	25 mm soft dome	25 mm soft dome
Low Frequency/midrange Driver(s)	1 x 5¼"	2 x 5¼"	2 x 7"	2 x 5¼"
Enclosure Type	Bass reflex	Bass reflex	Bass reflex	Bass reflex
Bass Reflex Tuning Frequency [Hz]	51,5	44,0	40,0	45,0
Connection Input(s)	Single wire	Single wire	Single wire	Single wire
Recommended Placement	Wall/shelf/ (Stand)	Floor	Floor	Shelf below TV screen
Magnetic Shielding	Semi shielding	No	No	Semi shielding
Dimensions (H x W x D) [mm]	274 x 162 x 220	825 x 162 x 267	978 x 205 x 312	161 x 441 x 281
Dimensions (H x W x D) [inches]	10.8 x 6.4 x 8.7	32.5 x 6.4 x 10.5	38.5 x 8.1 x 12.3	6.3 x 17.4 x 11.1
Weight [kg/lb]	4,2/9.3	10,3/22.7	14,9/32.8	6,8/15.0



IN ADMIRATION OF MUSIC

All technical specifications are subject to change without notice.