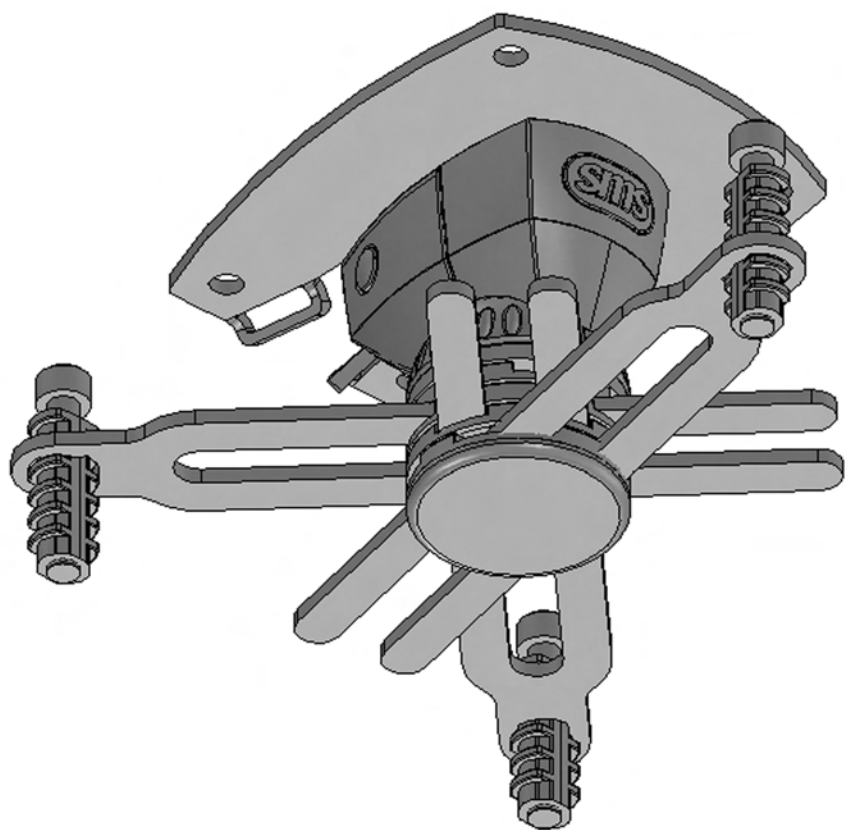
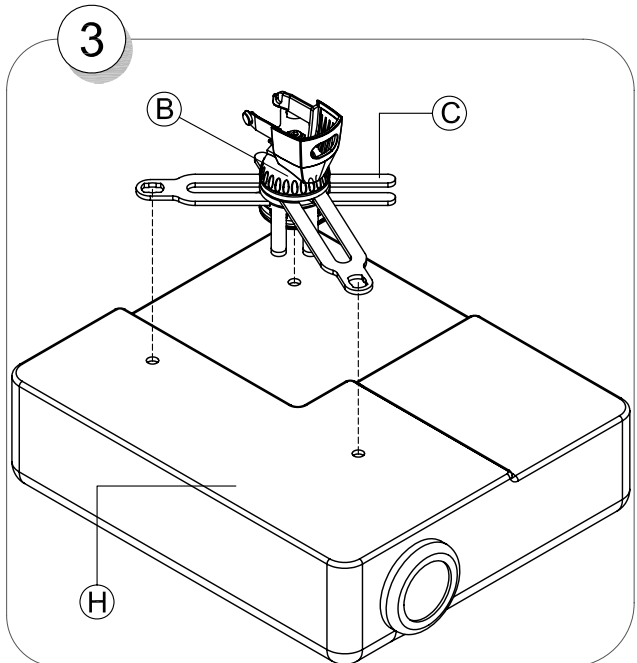
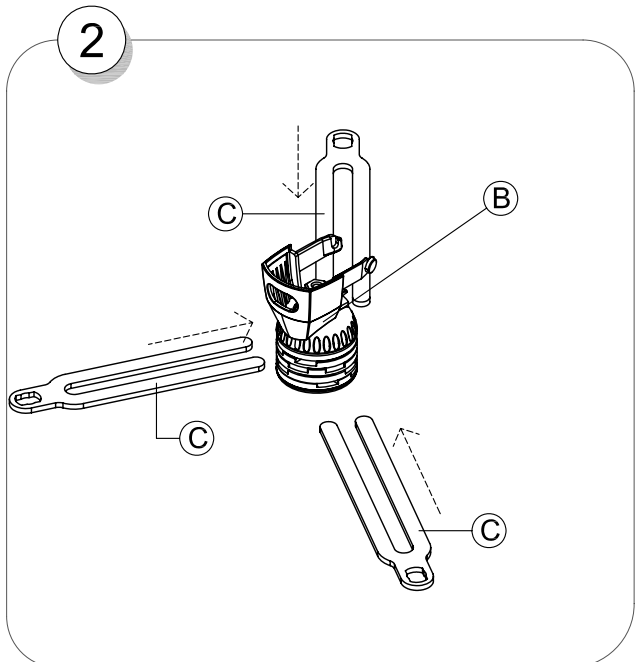
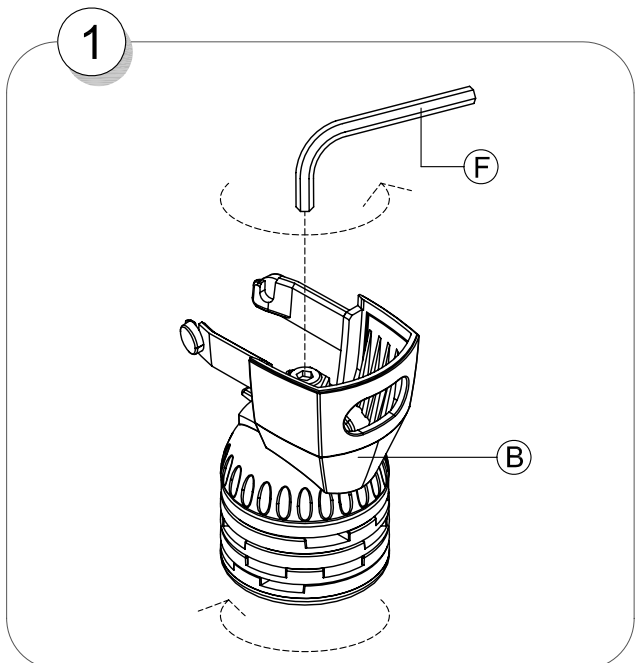
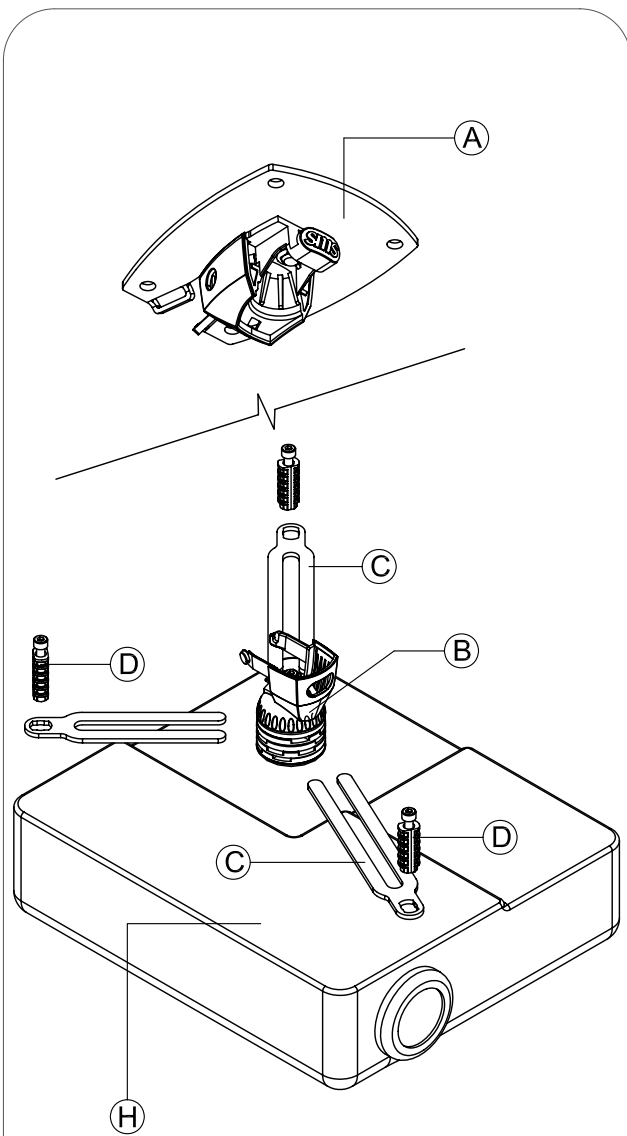






SMS PROJECTOR X MINI

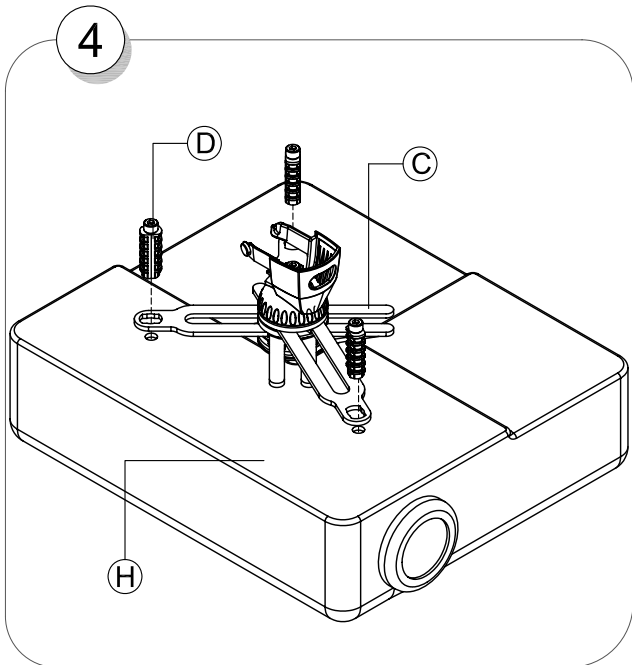




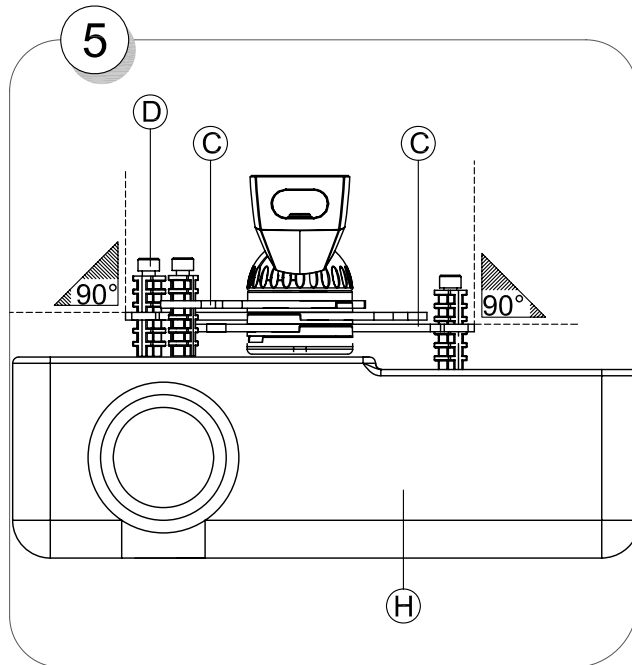
Contents

A.	Aluminium Pillar assembly complete		1
B.	SMS Projector X main body		1
C.	SMS Projector Arms		3+2
D.	Holder screw		3+2
E.	Cable strap		2
F.	Allen Keys		2
G.	Ceiling Screws+washers (Not included)		
H.	Projector (Not included)		
I.	Plier (Not included)		
J.	Cables (Not included)		

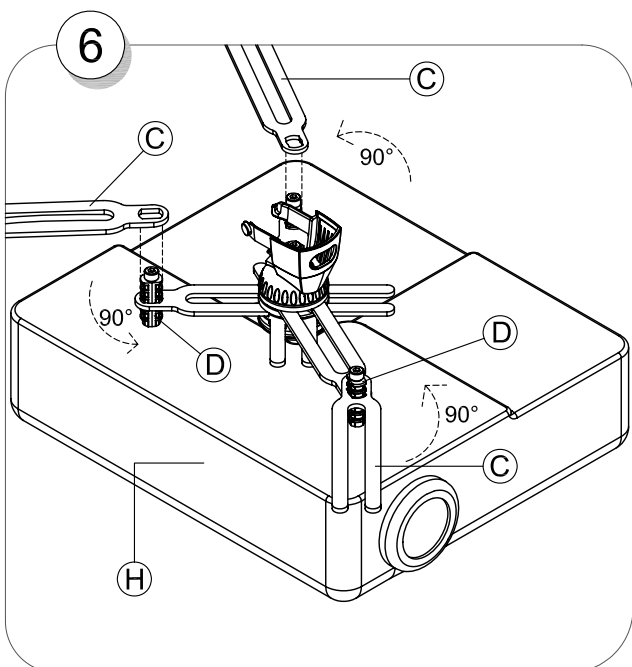
4



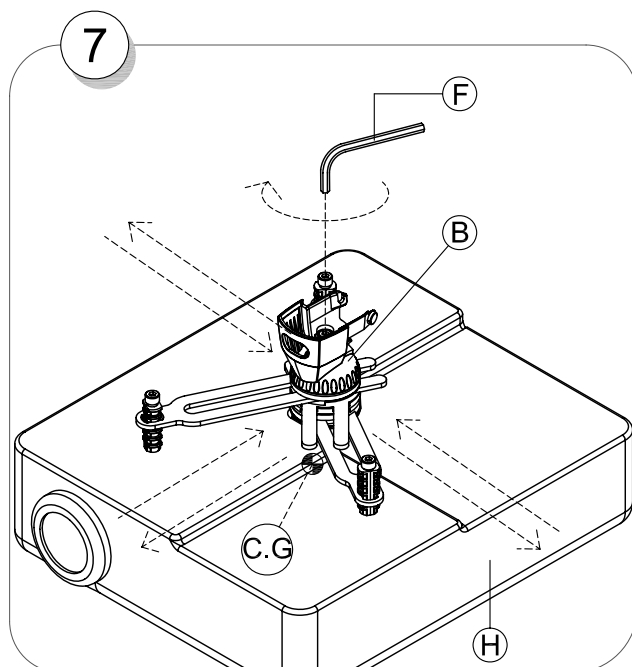
5



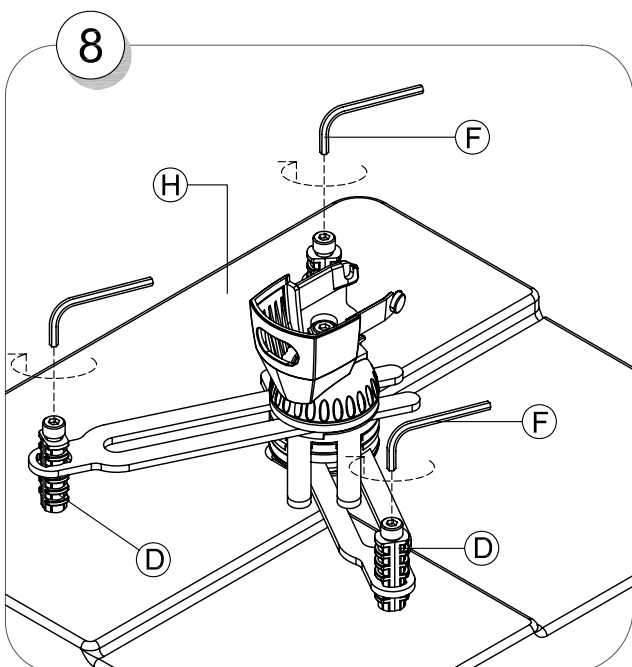
6



7



8



9

